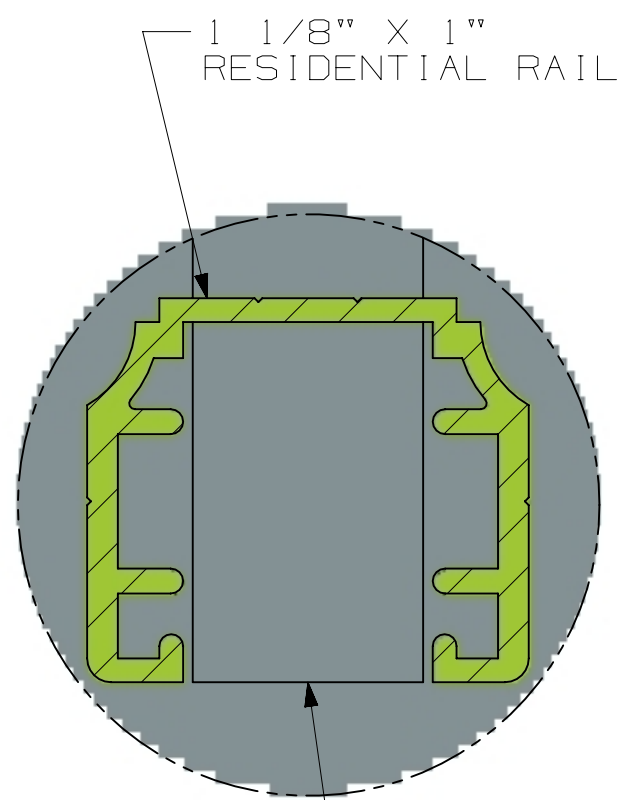
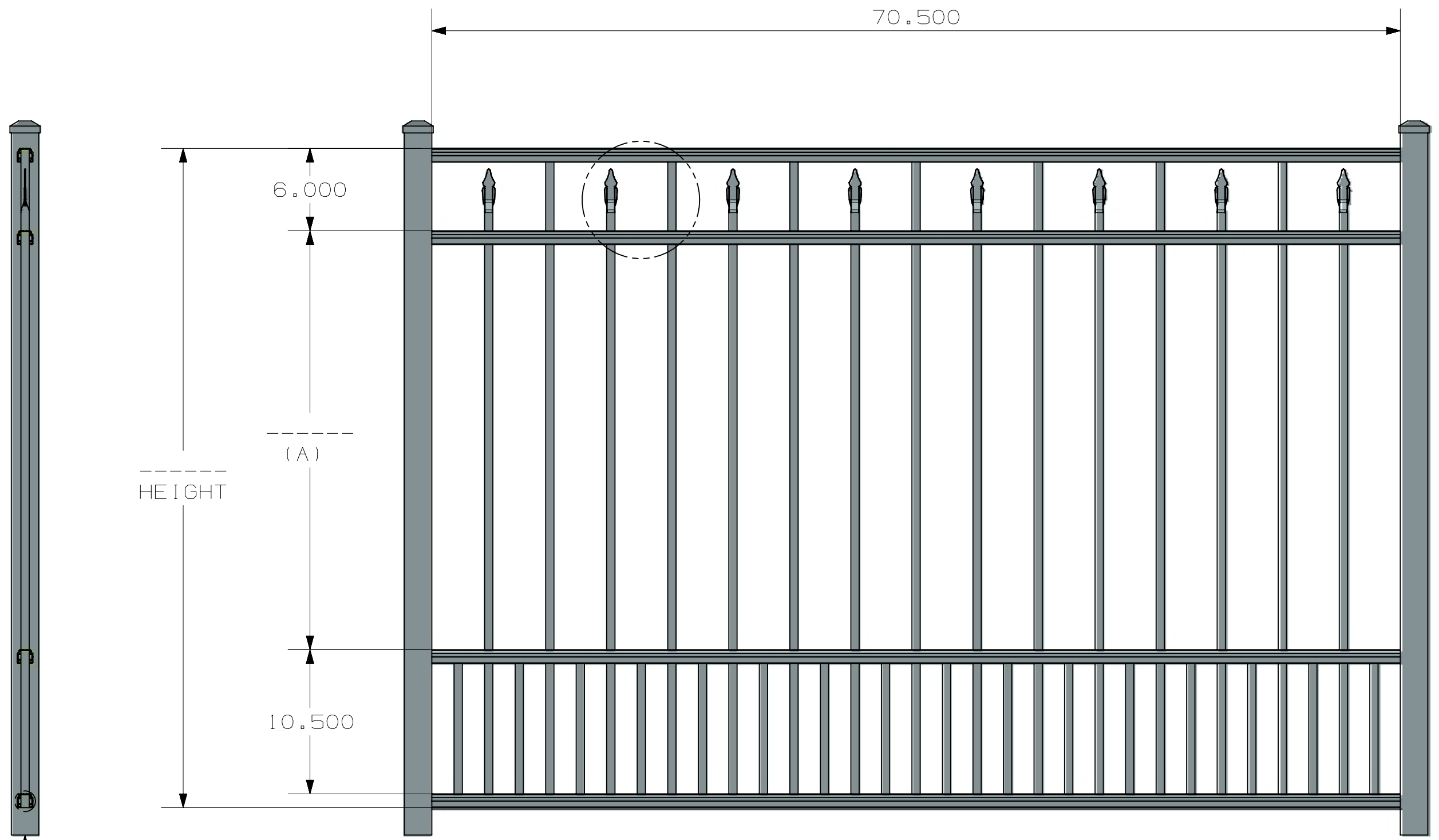
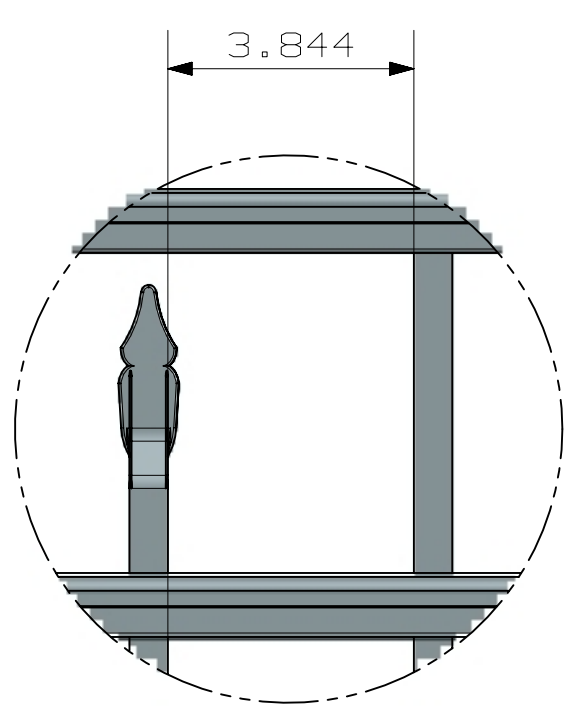


TOLERANCE	TAPE MEASURE ±1/16"	CALIPER ±.010"	DRAWING APPROVED	BOM ENTERED	ALLOY
OVERRIDDEN					COMMENTS

REV	NOTES
-----	-------



- POST OPTIONS
- 2" x 2" x .060" WALL
 - 2" x 2" x .080" WALL
 - 2" x 2" x .125" WALL
 - 2 1/2" x 2 1/2" x .100" WALL

5/8" x 5/8" RESIDENTIAL PICKET

HEIGHT	(A)
3'	18 1/2"
3 1/2'	24 1/2"
4'	30 1/2"
4 1/2'	36 1/2"
5'	42 1/2"
6'	54 1/2"

INSIDE OF POST WIDTH	
NOMINAL	ACTUAL
5'	61.6875"
6'	70.5"
7'	83.875"

ULTRA ALUMINUM MANUFACTURING, INC
 2124 GRAND COMMERCE DR. HOWELL, MI 48855
 PHONE (800) 656-4420 □ FAX (800) 643-7426

	DATE	12-15-2023
	REV	1
	SHEET	1 OF 1

RESIDENTIAL
 UAF - 250 FLAT TOP W/ SPEAR
 FLUSH BOTTOM
 SHORT FLAT
 4 - RAIL

UAF-250 FLAT TOP SPEAR FLUSH BOTTOM RESIDENTIAL 6X4 SHORT FLAT 4 RAIL