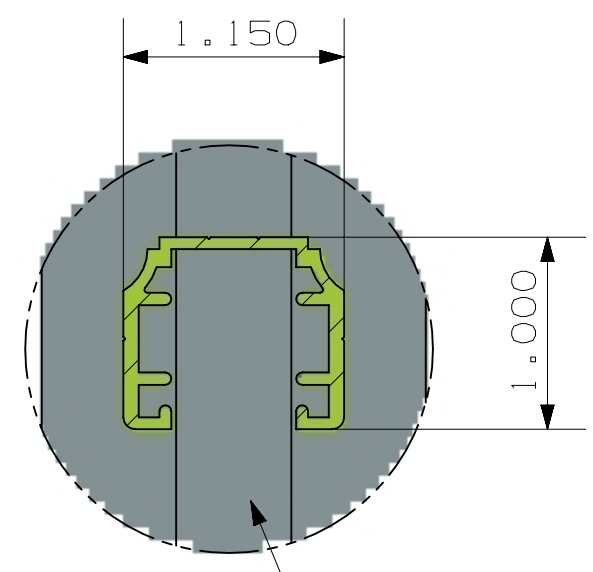
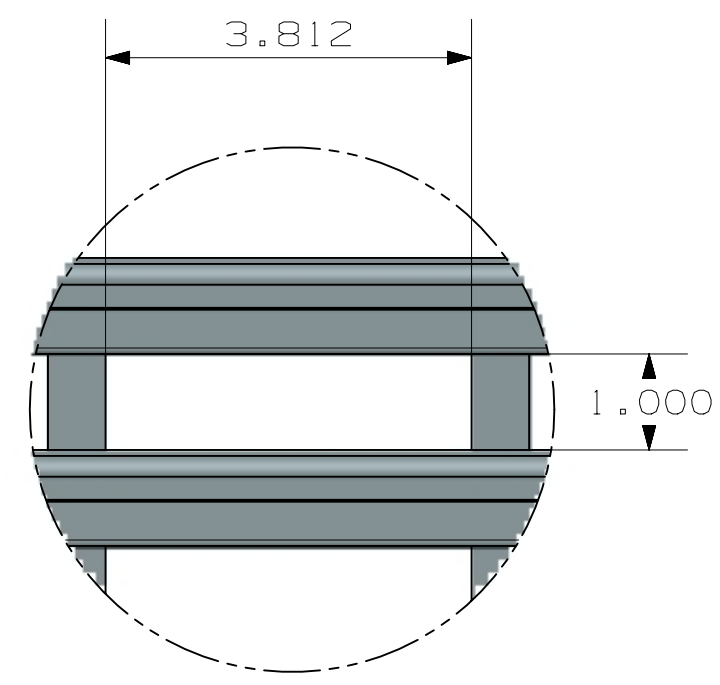
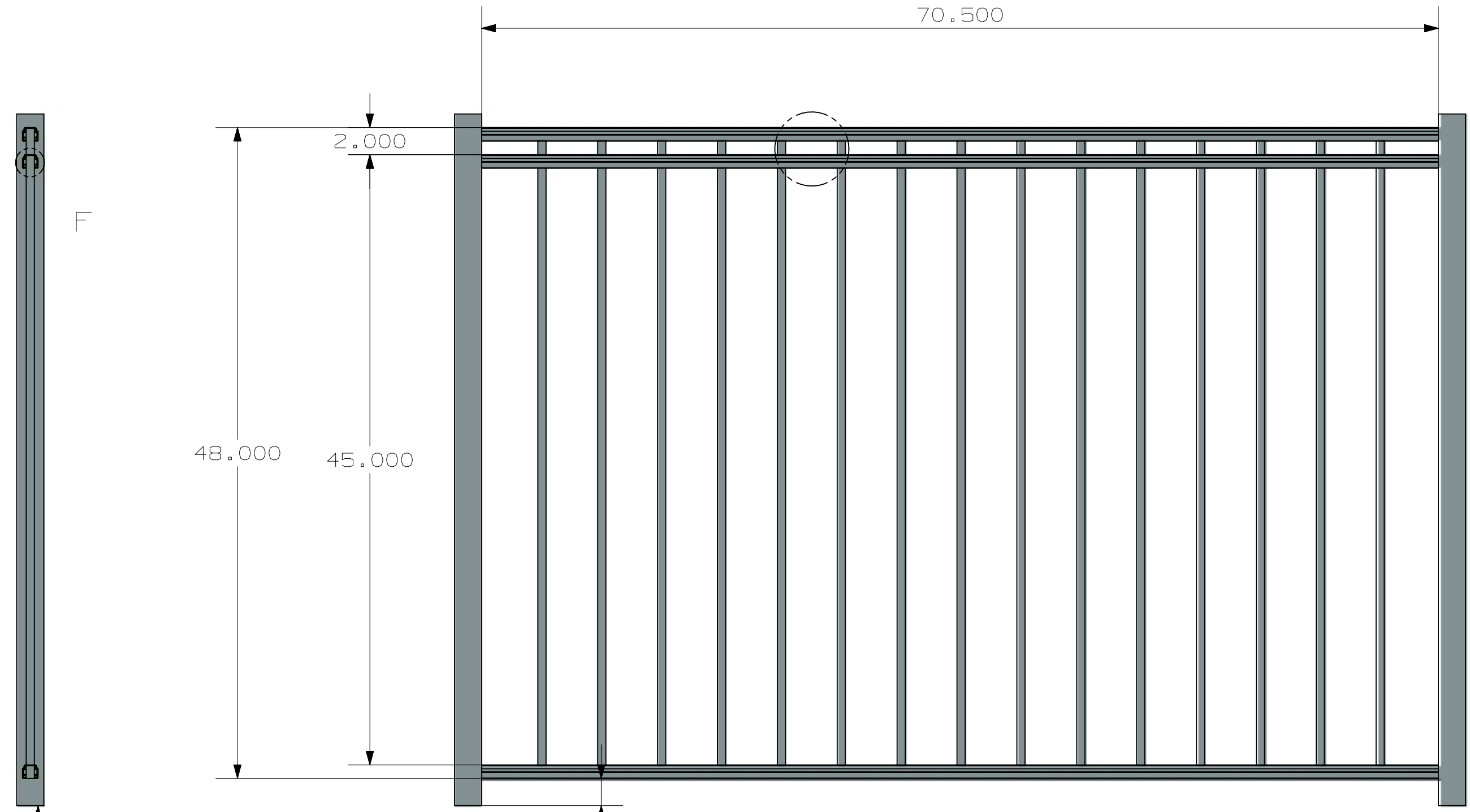


TOLERANCE	TAPE MEASURE ±1/16"	CALIPER ±.010"	DRAWING APPROVED	BOM ENTERED	ALLOY
OVERRIDDEN					COMMENTS

REV	NOTES
-----	-------



5/8" X 5/8"
RESIDENTIAL PICKET



- POST OPTIONS
- 2" x 2" x .060" WALL
 - 2" x 2" x .080" WALL
 - 2" x 2" x .125" WALL
 - 2 1/2" x 2 1/2" x .100" WALL

2.000
FINISHED GRADE

INSIDE OF POST WIDTH	
NOMINAL	ACTUAL
5'	61.6875"
6'	70.5"
7'	83.875"

ULTRA ALUMINUM MANUFACTURING, INC
2124 GRAND COMMERCE DR. HOWELL, MI 48855
PHONE (800) 656-4420 FAX (800) 643-7426

	DATE	12-12-2023
	REV	1
	SHEET	1 OF 1

RESIDENTIAL
UAB - 200 FLAT TOP
FLUSH BOTTOM
3 - RAIL

UAB-200 FLAT TOP FLUSH BOTTOM BOCA RESIDENTIAL 6X4 3 RAIL

Signature™

ULTRA
LOUVERED PRIVACY

ULTRAmox

Defender

ULTRA
VINYL PRIVACY

Estate Collection

ULTRA
ALUMINUM PRIVACY

ULTRARACK