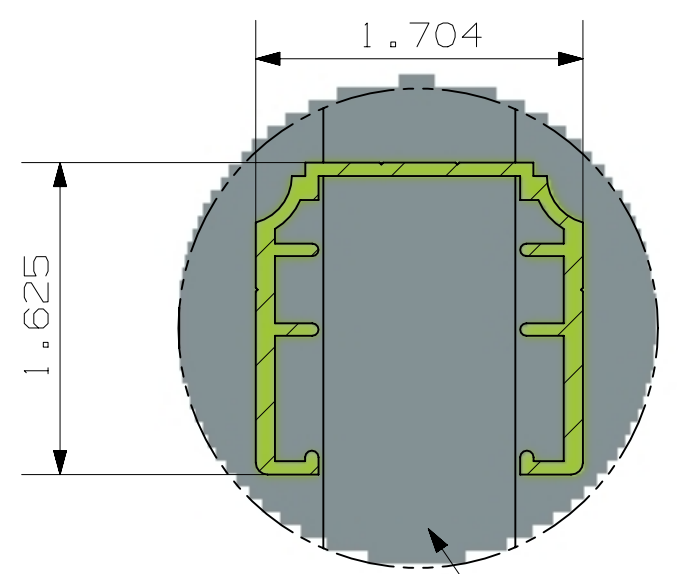
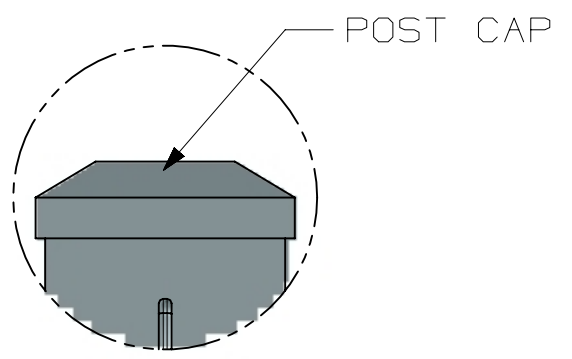
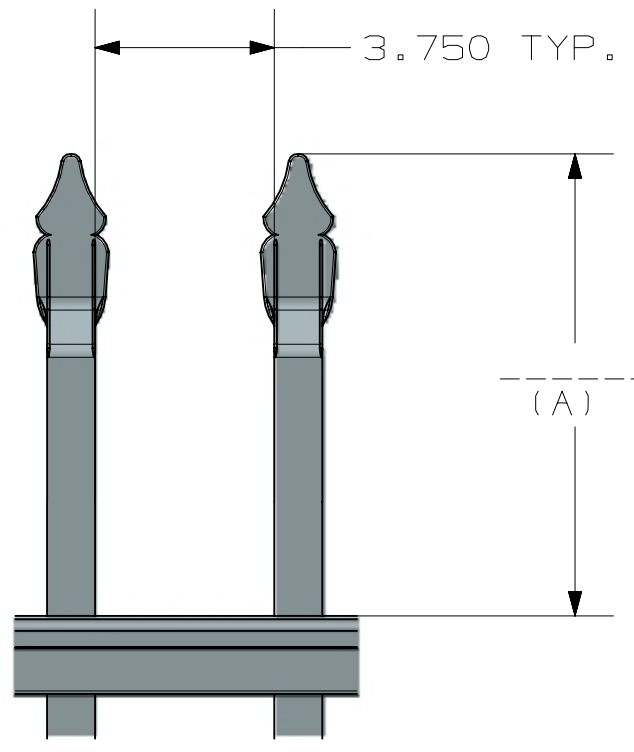


TOLERANCE	TAPE MEASURE ±1/16"	CALIPER ±.010"	DRAWING APPROVED	BOM ENTERED	ALLOY
OVERRIDDEN					COMMENTS

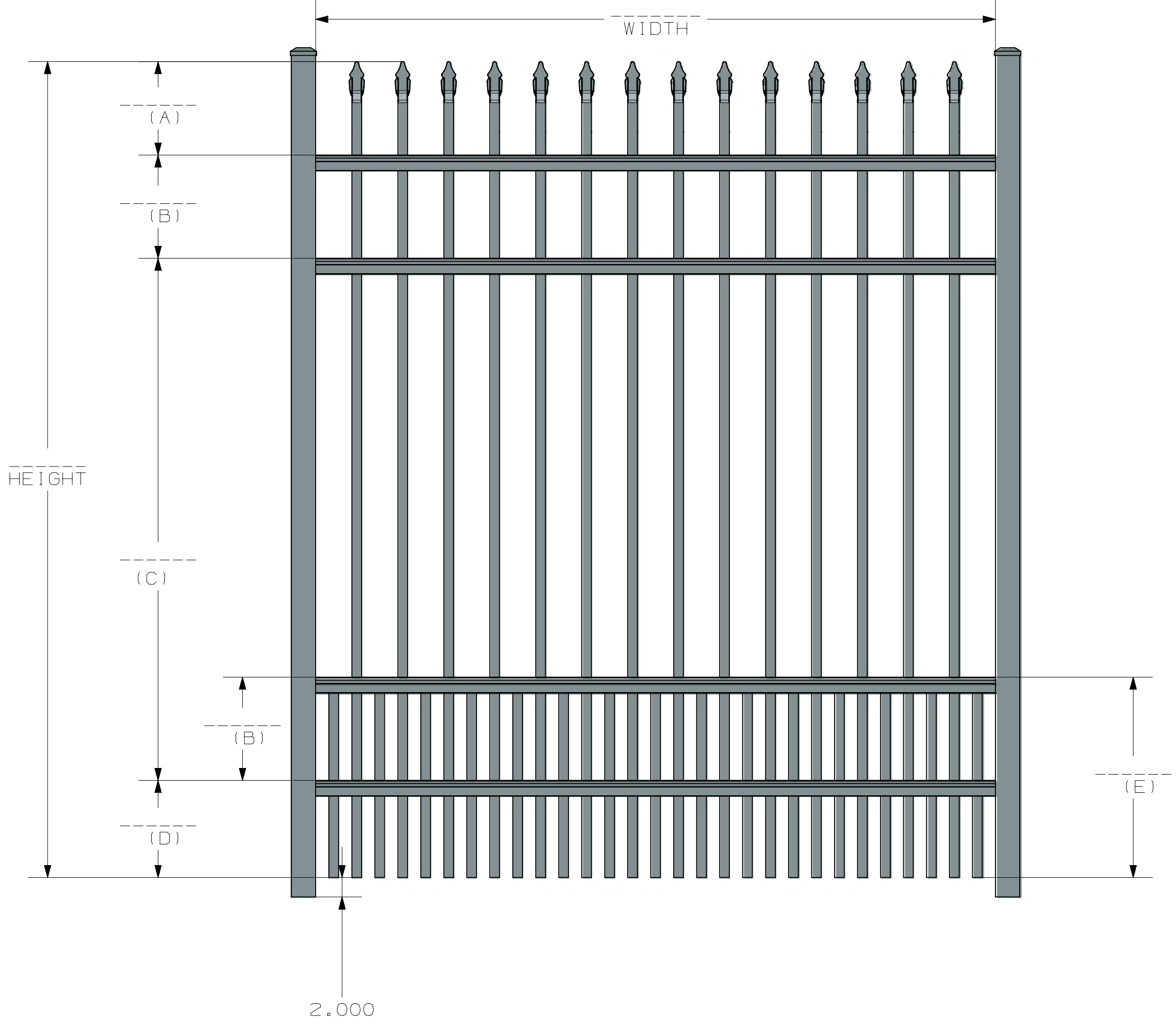
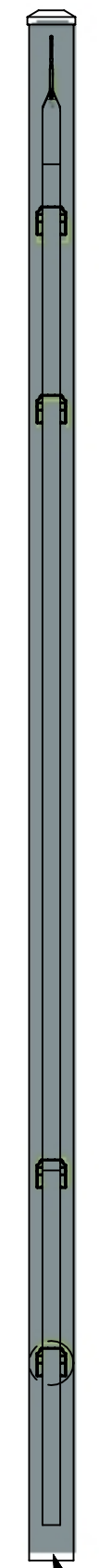
REV	NOTES
-----	-------

A  
B  
C  
D  
E  
F  
G  
H

A  
B  
C  
D  
E  
F  
G  
H



1" X 1" X .062" INDUSTRIAL PICKET



POST OPTIONS  
 2 1/2" X 2 1/2" X .100 WALL  
 3" X 3" X .125" WALL  
 4" X 4" X .125" WALL

HEIGHT	A	B	C	D	E
4'	6 5/8"	7 5/8"	26 3/4"	7"	14 5/8"
4 1/2'	6 5/8"	7 5/8"	32 3/4"	7"	14 5/8"
5'	6 5/8"	7 5/8"	38 3/4"	7"	14 5/8"
6'	6 5/8"	7 5/8"	50 3/4"	7"	14 5/8"
7'	9 5/8"	10 5/8"	53 3/4"	10"	20 5/8"
8'	9 5/8"	10 5/8"	65 3/4"	10"	20 5/8"
9'	12 5/8"	13 5/8"	68 3/4"	13"	26 5/8"
10'	12 5/8"	13 5/8"	80 3/4"	13"	26 5/8"

ULTRA ALUMINUM MANUFACTURING, INC  
 2124 GRAND COMMERCE DR. HOWELL, MI 48855  
 PHONE (800) 656-4420 FAX (800) 643-7426

	DATE	12-7-2023
	REV	1
	SHEET	1 OF 1

NOMINAL WIDTH	RAIL LENGTH
6'	71 1/2"
8'	100"
MAX 90 7/16" IF OVER 8' TALL	

UAS-100 SPEAR TOP  
 STD BOTTOM  
 INDUSTRIAL SHOP DRAWING  
 SHORT FLATS  
 4-RAIL  
 UAS-100 STD BOTTOM INDUSTRIAL SPEAR TOP SHORT FLAT 6X7 4 RAIL