

TOLERANCE	TAPE MEASURE ±1/16"	CALIPER ±.010"	DRAWING APPROVED	BOM ENTERED	ALLOY
OVERRIDDEN					COMMENTS

REV	NOTES
-----	-------

A

B

C

D

E

F

G

H

A

B

C

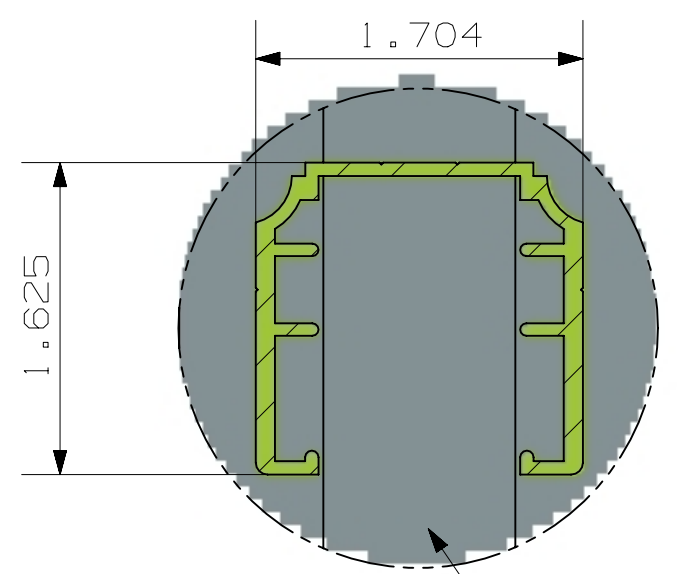
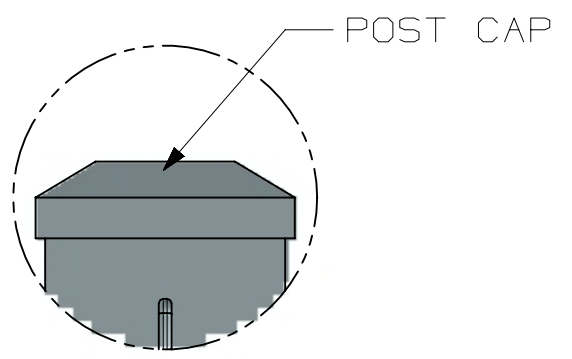
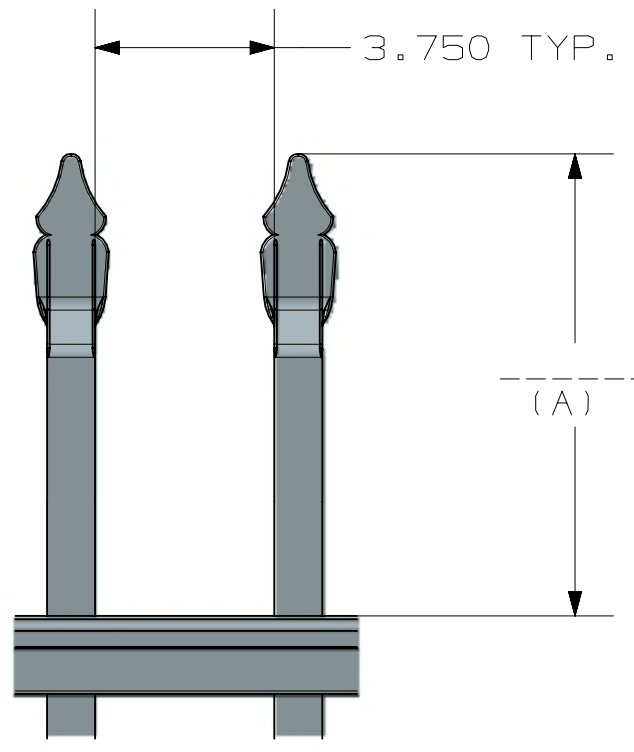
D

E

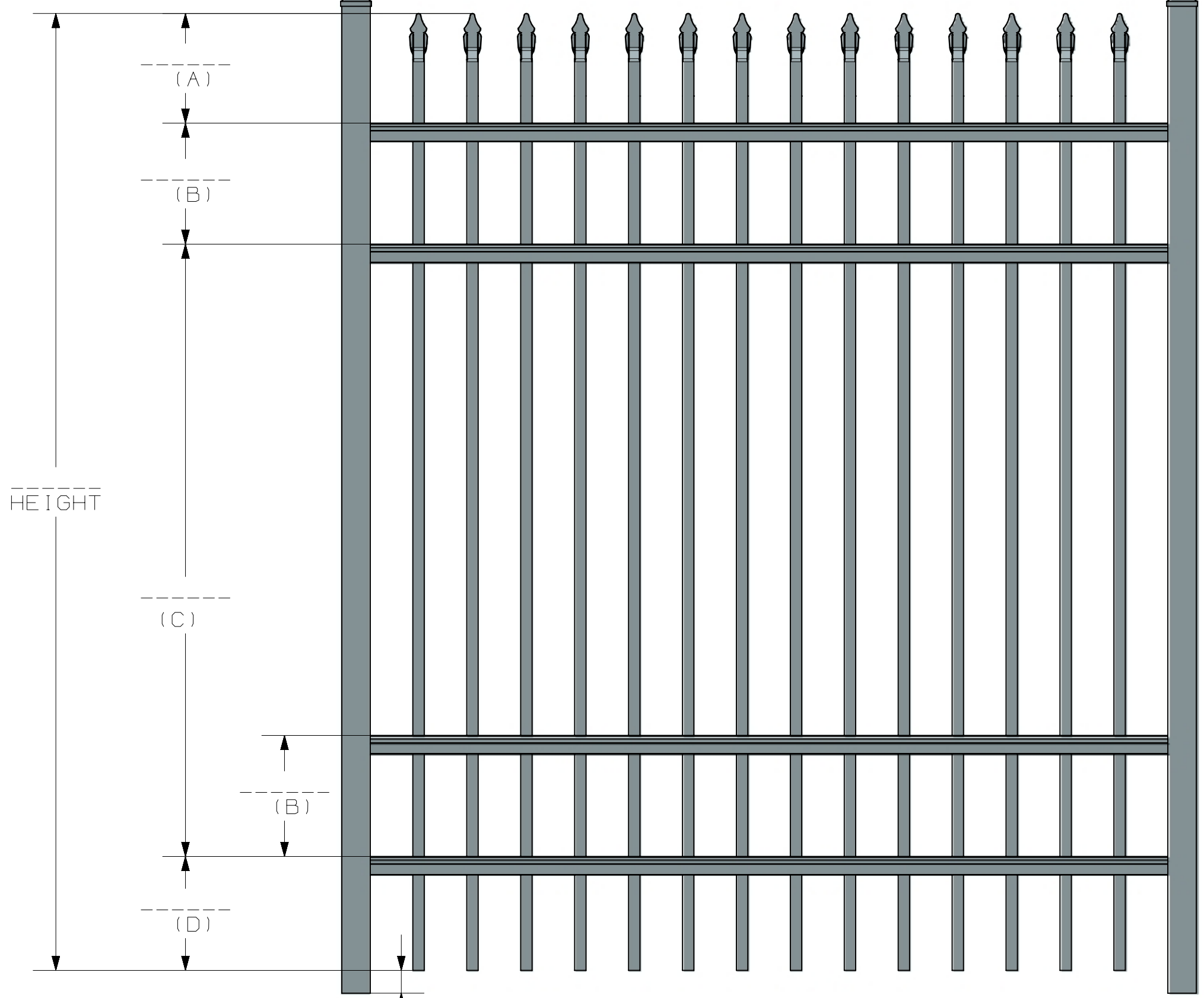
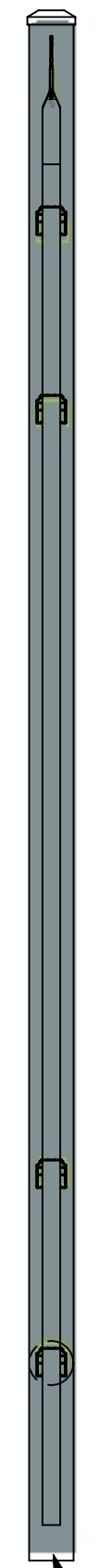
F

G

H



1" X 1" X .062" INDUSTRIAL PICKET



POST OPTIONS
 2 1/2" X 2 1/2" X .100 WALL
 3" X 3" X .125" WALL
 4" X 4" X .125" WALL

HEIGHT	A	B	C	D
4'	6 5/8"	7 5/8"	26 3/4"	7"
4 1/2'	6 5/8"	7 5/8"	32 3/4"	7"
5'	6 5/8"	7 5/8"	38 3/4"	7"
6'	6 5/8"	7 5/8"	50 3/4"	7"
7'	9 5/8"	10 5/8"	53 3/4"	10"
8'	9 5/8"	10 5/8"	65 3/4"	10"
9'	12 5/8"	13 5/8"	68 3/4"	13"
10'	12 5/8"	13 5/8"	80 3/4"	13"

ULTRA ALUMINUM MANUFACTURING, INC
 2124 GRAND COMMERCE DR. HOWELL, MI 48855
 PHONE (800) 656-4420 FAX (800) 643-7426

	DATE	12-7-2023
	REV	1
	SHEET	1 OF 1

NOMINAL WIDTH	RAIL LENGTH
6'	71 1/2"
8'	100"
MAX 90 7/16" IF OVER 8' TALL	

UAS-100 SPEAR TOP
 STD BOTTOM
 INDUSTRIAL SHOP DRAWING
 4-RAIL
 UAS-100 STD BOTTOM INDUSTRIAL SPEAR TOP 6X7 4 RAIL