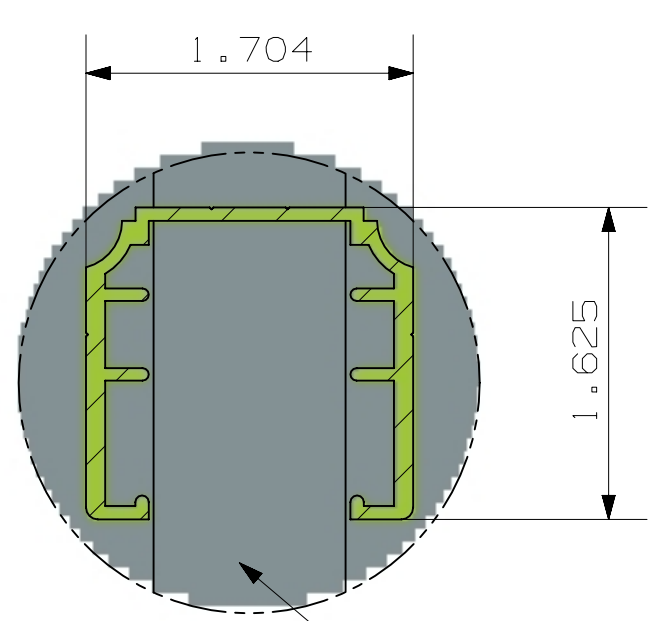
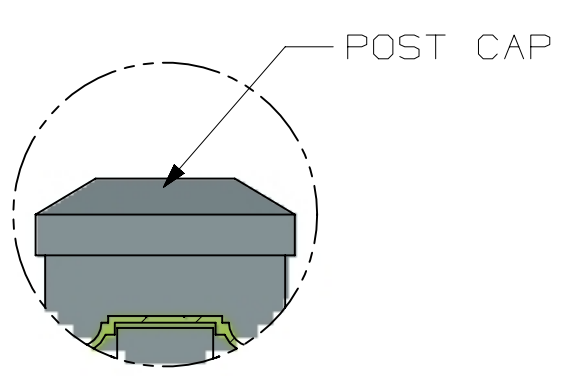
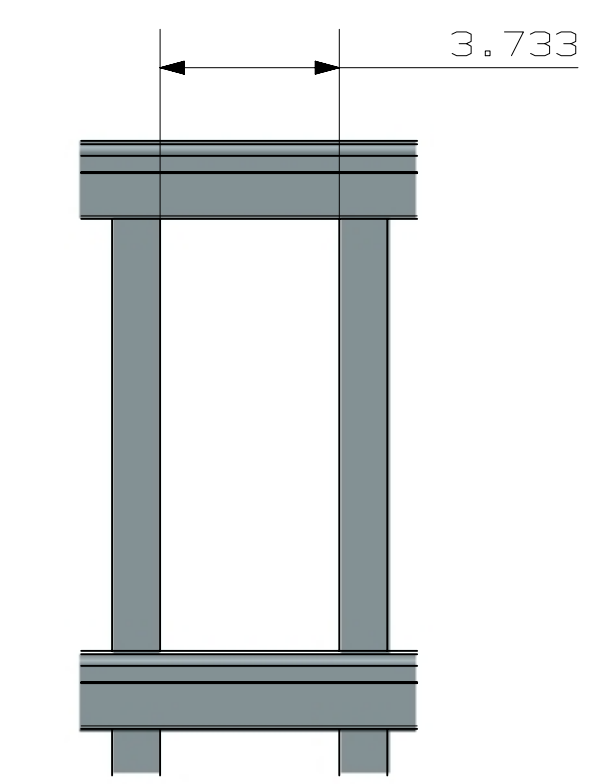


TOLERANCE	TAPE MEASURE ±1/16"	CALIPER ±.010"	DRAWING APPROVED	BOM ENTERED	ALLOY
OVERRIDDEN					COMMENTS

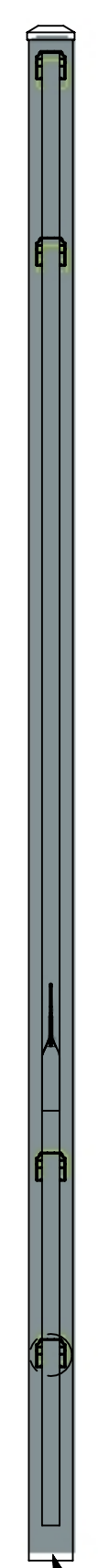
REV	NOTES
-----	-------

A  
B  
C  
D  
E  
F  
G  
H

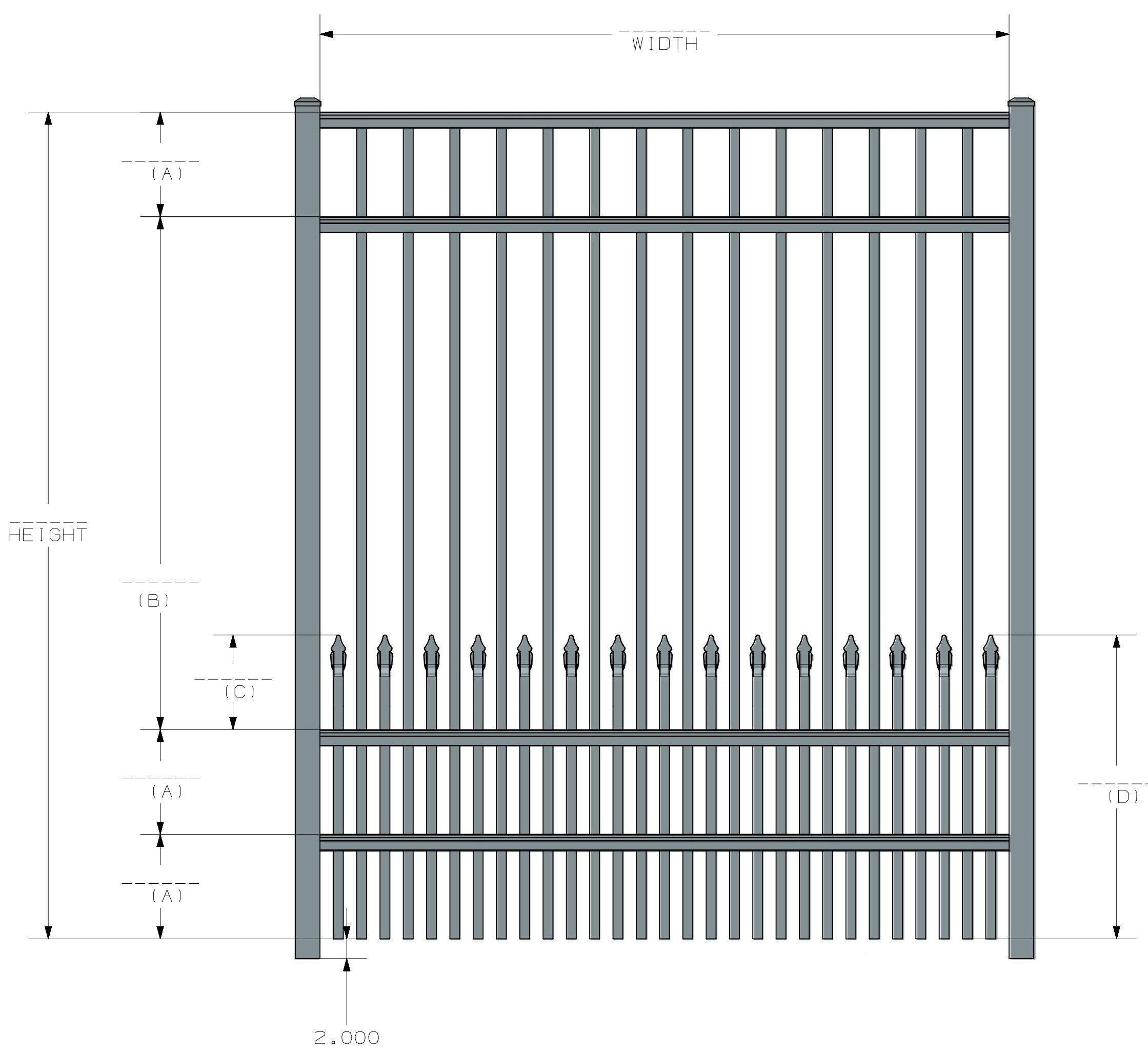
A  
B  
C  
D  
E  
F  
G  
H



1" X 1" X .062" INDUSTRIAL PICKET



POST OPTIONS  
 2 1/2" X 2 1/2" X .100 WALL  
 3" X 3" X .125" WALL  
 4" X 4" X .125" WALL



HEIGHT	A	B	C	D
4'	7 5/8"	25 1/8"	6 5/8"	21 7/8"
4 1/2'	7 5/8"	31 1/8"	6 5/8"	21 7/8"
5'	7 5/8"	37 1/8"	6 5/8"	21 7/8"
6'	7 5/8"	49 1/8"	6 5/8"	21 7/8"
7'	10 5/8"	52 1/8"	9 5/8"	30 7/8"
8'	10 5/8"	64 1/8"	9 5/8"	30 7/8"
9'	13 5/8"	67 1/8"	12 5/8"	39 7/8"
10'	13 5/8"	79 1/8"	12 5/8"	39 7/8"

ULTRA ALUMINUM MANUFACTURING, INC  
 2124 GRAND COMMERCE DR. HOWELL, MI 48855  
 PHONE (800) 656-4420 FAX (800) 643-7426

	DATE	11-30-2023
	REV	2
	SHEET	1 OF 1

NOMINAL WIDTH	RAIL LENGTH
6"	71 1/2"
8"	100"
MAX 90 7/16" IF OVER 8' TALL	

UAF-200  
 STD BOTTOM  
 INDUSTRIAL SHOP DRAWING  
 4-RAIL  
 SHORT SPEAR  
 UAF-200 STD BOTTOM INDUSTRIAL 6X7 4-RAIL SHORT SPEAR