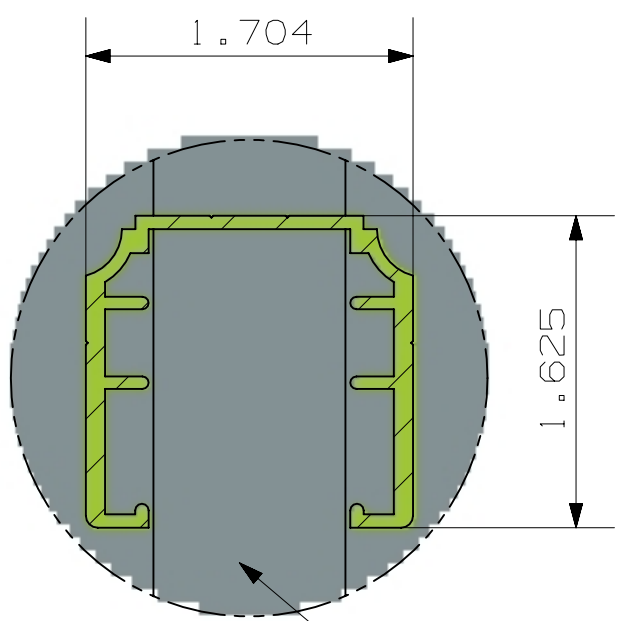
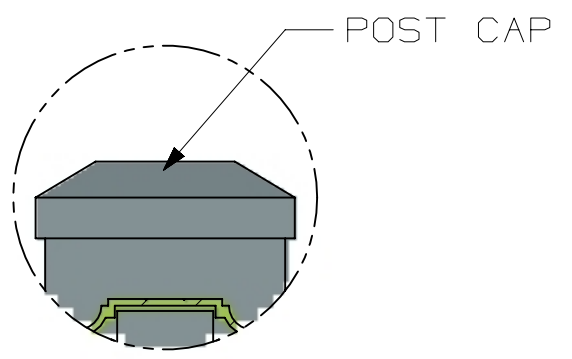
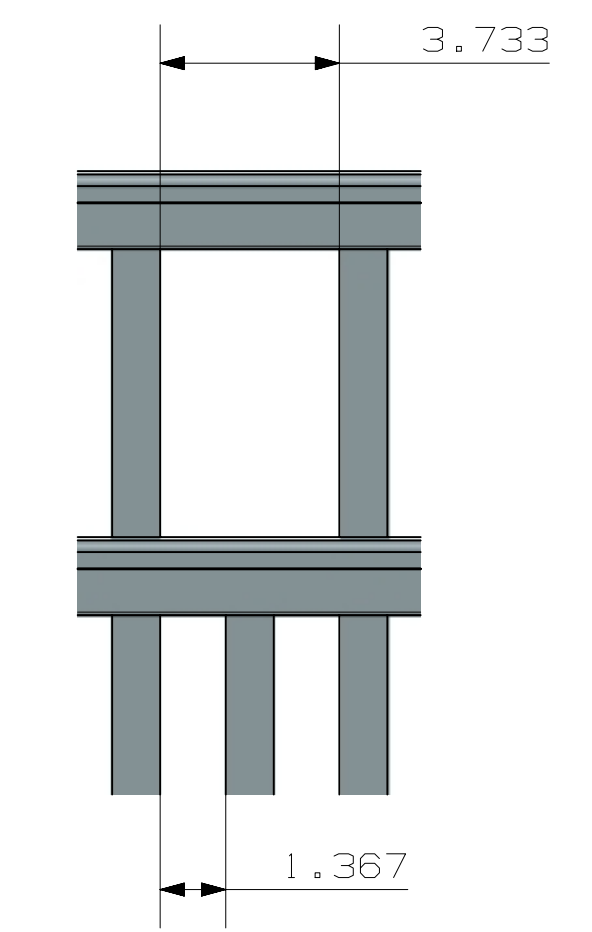


TOLERANCE	TAPE MEASURE ±1/16"	CALIPER ±.010"	DRAWING APPROVED	BOM ENTERED	ALLOY
OVERRIDDEN					COMMENTS

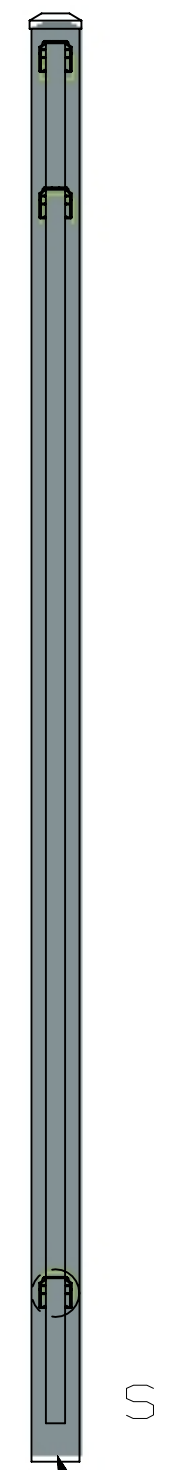
REV	NOTES
-----	-------

A  
B  
C  
D  
E  
F  
G  
H

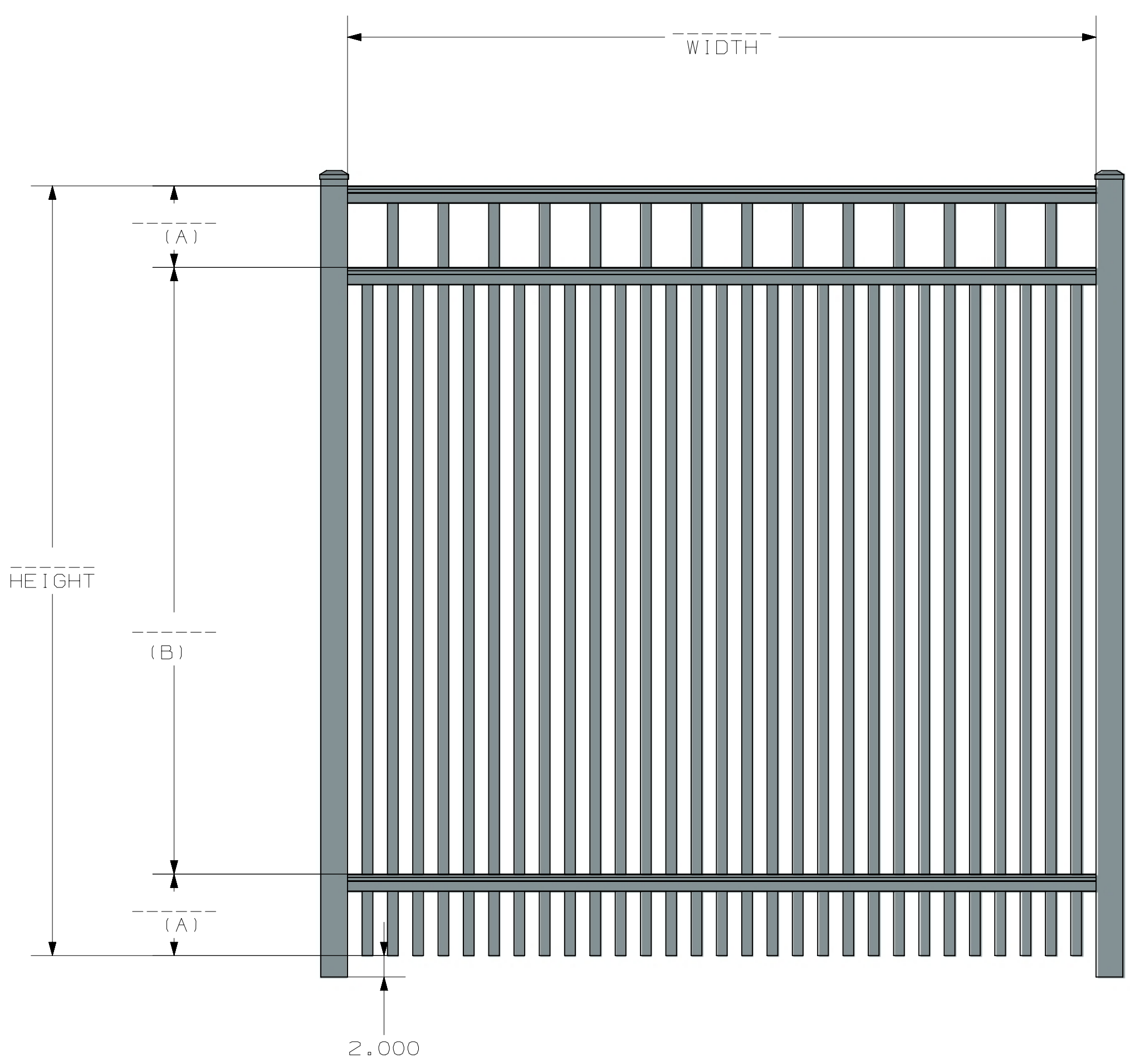
A  
B  
C  
D  
E  
F  
G  
H



DETAIL S  
SCALE 1:1  
1" X 1" X .062" INDUSTRIAL PICKET



- POST OPTIONS  
 2 1/2" X 2 1/2" X .100 WALL  
 3" X 3" X .125" WALL  
 4" X 4" X .125" WALL



HEIGHT	A	B
4'	7 5/8"	32 3/4"
4 1/2'	7 5/8"	38 3/4"
5'	7 5/8"	44 3/4"
6'	7 5/8"	56 3/4"

NOMINAL WIDTH	RAIL LENGTH
6'	71 1/2"
8'	100"
MAX 90 7/16" IF OVER 8' TALL	

ULTRA ALUMINUM MANUFACTURING, INC  
 2124 GRAND COMMERCE DR. HOWELL, MI 48855  
 PHONE (800) 656-4420 FAX (800) 643-7426

	DATE	11-30-2023
	REV	2
	SHEET	1 OF 1

UAF-201  
 STD BOTTOM  
 INDUSTRIAL SHOP DRAWING  
 3-RAIL

UAF-201 STD BOTTOM INDUSTRIAL 6X6 3-RAIL