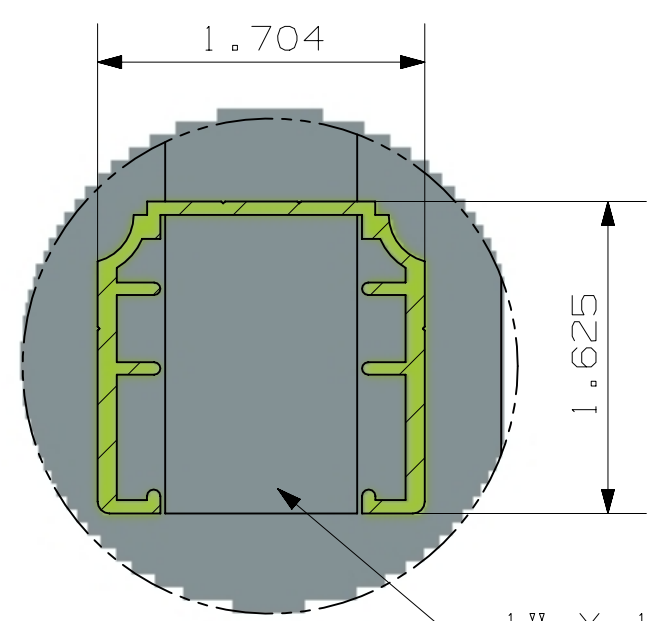
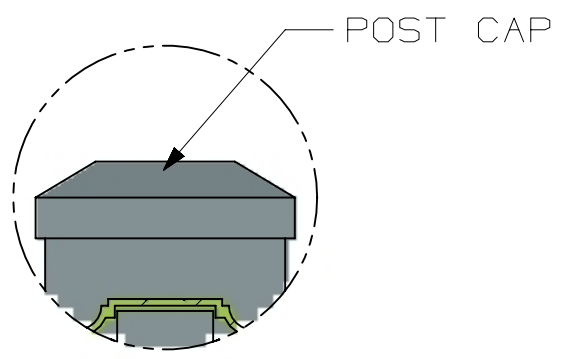
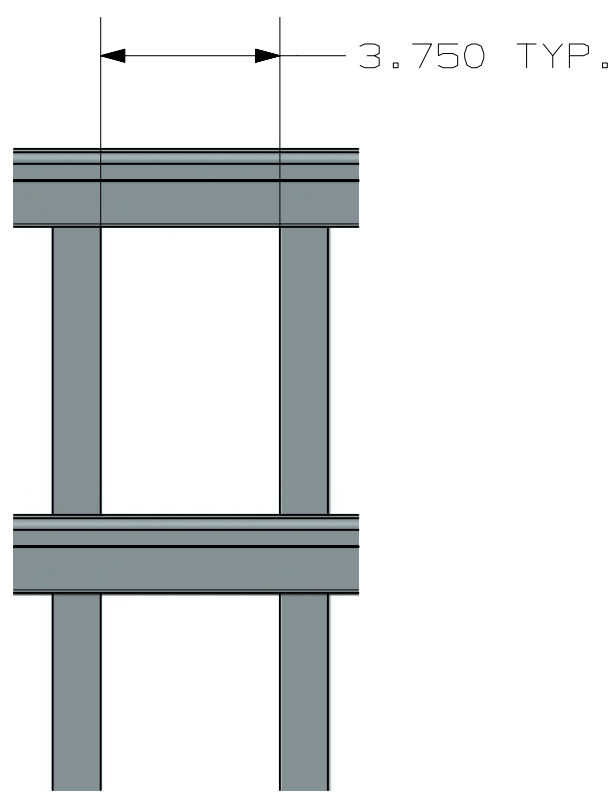


TOLERANCE	TAPE MEASURE ±1/16"	CALIPER ±.010"	DRAWING APPROVED	BOM ENTERED	ALLOY
OVERRIDDEN					COMMENTS

REV	NOTES
-----	-------

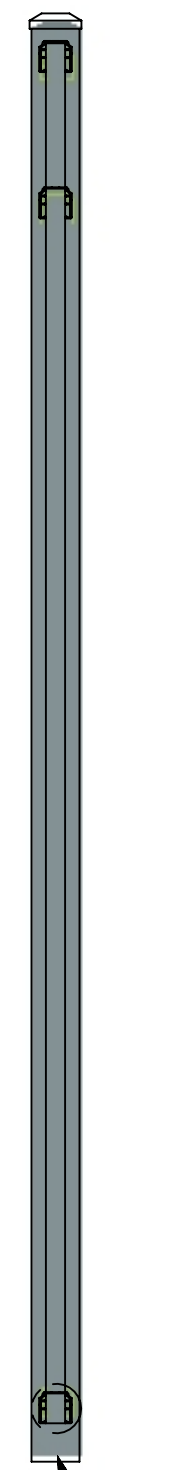
A
B
C
D
E
F
G
H

A
B
C
D
E
F
G
H

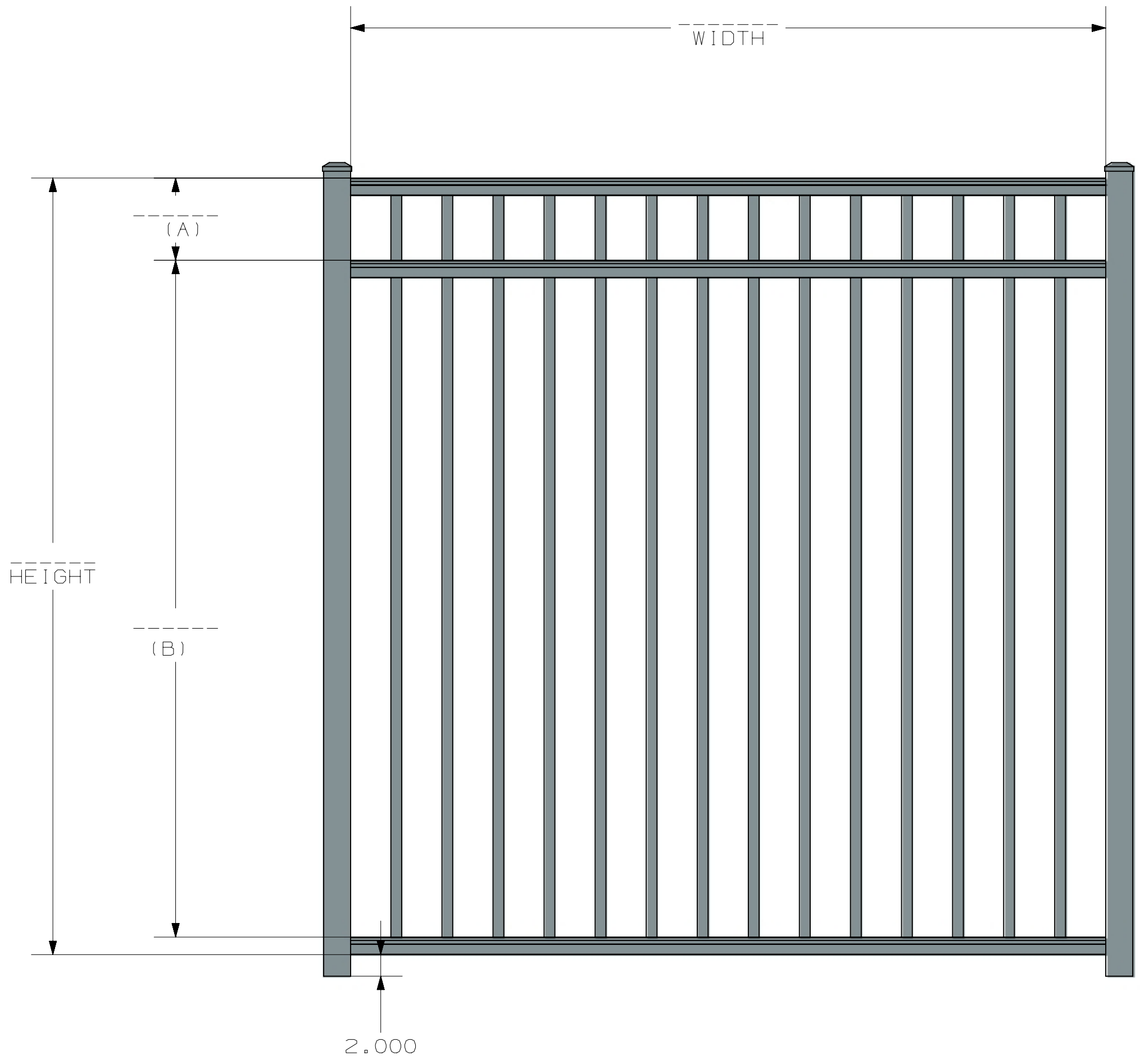


DETAIL S
SCALE 1:1

1" X 1" X .062" INDUSTRIAL PICKET



- POST OPTIONS
 2 1/2" X 2 1/2" X .100 WALL
 3" X 3" X .125" WALL
 4" X 4" X .125" WALL



HEIGHT	A	B
4'	7 5/8"	38 3/4"
4 1/2'	7 5/8"	44 3/4"
5'	7 5/8"	50 3/4"
6'	7 5/8"	62 3/4"

NOMINAL WIDTH	RAIL LENGTH
6'	71 1/2"
8'	100"

ULTRA ALUMINUM MANUFACTURING, INC
 2124 GRAND COMMERCE DR. HOWELL, MI 48855
 PHONE (800) 656-4420 FAX (800) 643-7426

	DATE	11-30-2023
	REV	2
	SHEET	1 OF 1

UAF - 200
 FLUSH BOTTOM
 INDUSTRIAL SHOP DRAWING
 3-RAIL

UAF-200 FLUSH BOTTOM INDUSTRIAL 6X6 3 RAIL