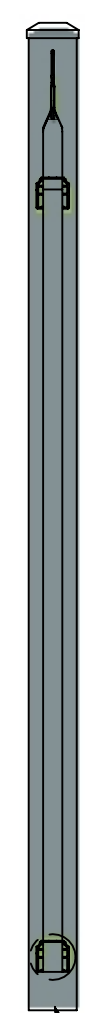
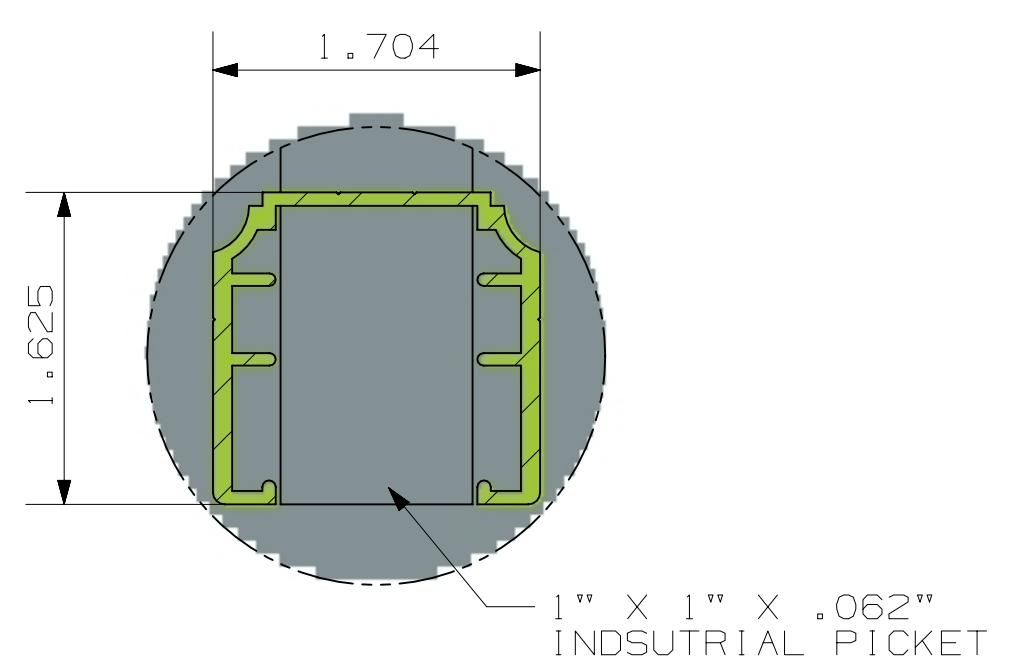
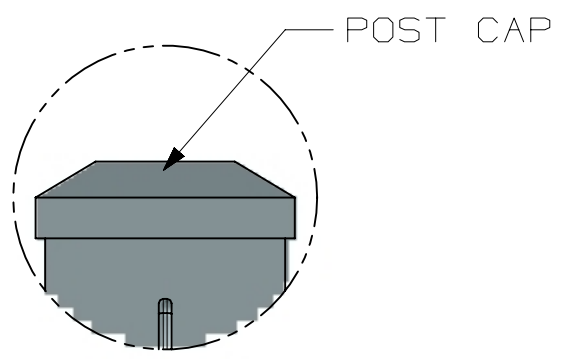
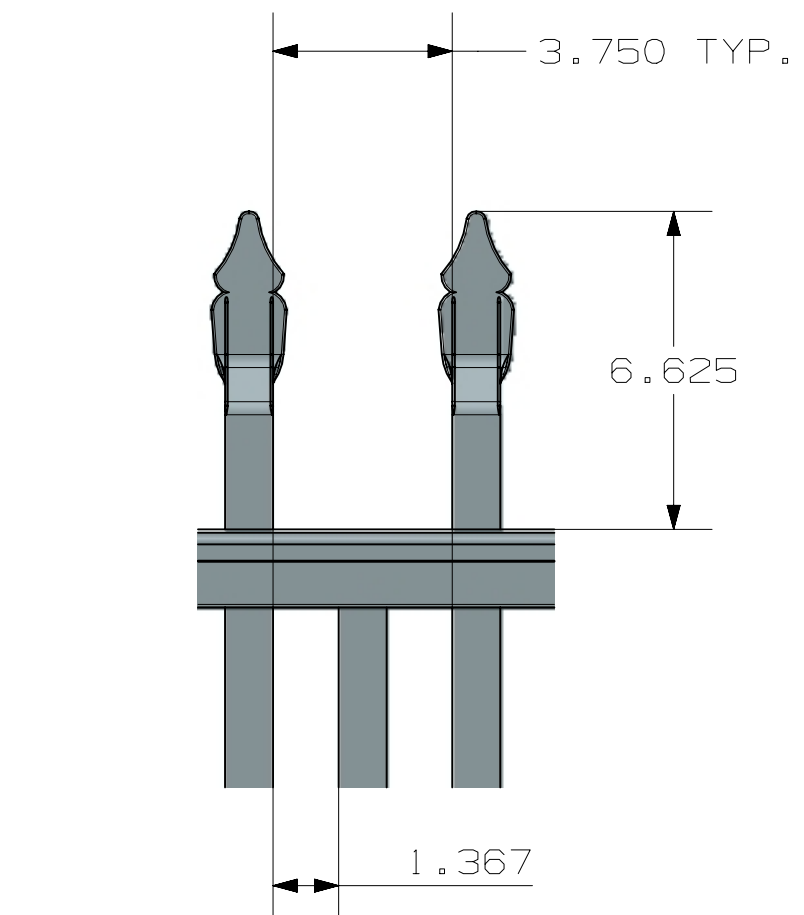
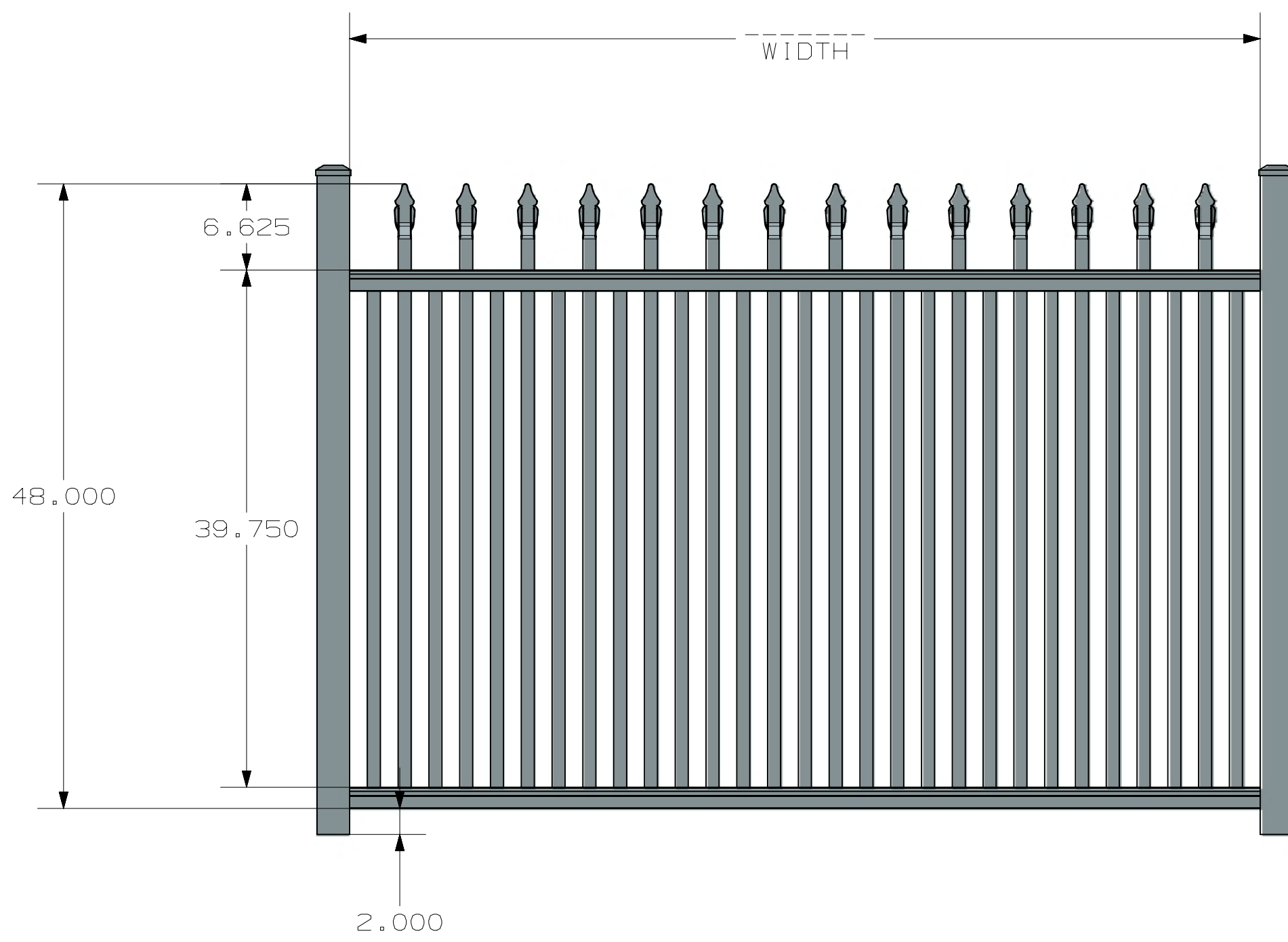


TOLERANCE	TAPE MEASURE ±1/16"	CALIPER ±.010"	DRAWING APPROVED	BOM ENTERED	ALLOY
OVERRIDDEN					COMMENTS

REV	NOTES
-----	-------



POST OPTIONS  
 2 1/2" X 2 1/2" X .100 WALL  
 3" X 3" X .125" WALL  
 4" X 4" X .125" WALL



NOMINAL WIDTH	RAIL LENGTH
6'	71 1/2"
8'	100"

ULTRA ALUMINUM MANUFACTURING, INC  
 2124 GRAND COMMERCE DR. HOWELL, MI 48855  
 PHONE (800) 656-4420 FAX (800) 643-7426

	DATE	12-7-2023
	REV	1
	SHEET	1 OF 1

UAS-101 SPEAR TOP  
 FLUSH BOTTOM  
 INDUSTRIAL SHOP DRAWING  
 2-RAIL

UAS-101 FLUSH BOTTOM INDUSTRIAL SPEAR TOP 6X4 2 RAIL

Signature™

**ULTRA**<sup>®</sup>  
LOUVERED PRIVACY

**ULTRAMAX**<sup>®</sup>

**Defender**<sup>™</sup>

**ULTRA**<sup>®</sup>  
VINYL PRIVACY

*Estate Collection*

**ULTRA**<sup>®</sup>  
ALUMINUM PRIVACY

**ULTRARACK**<sup>™</sup>