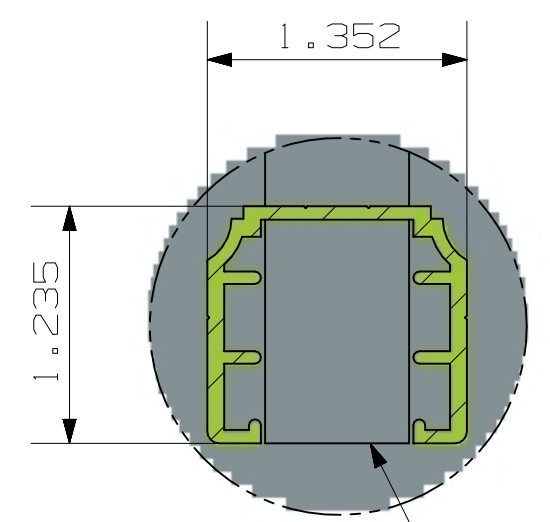
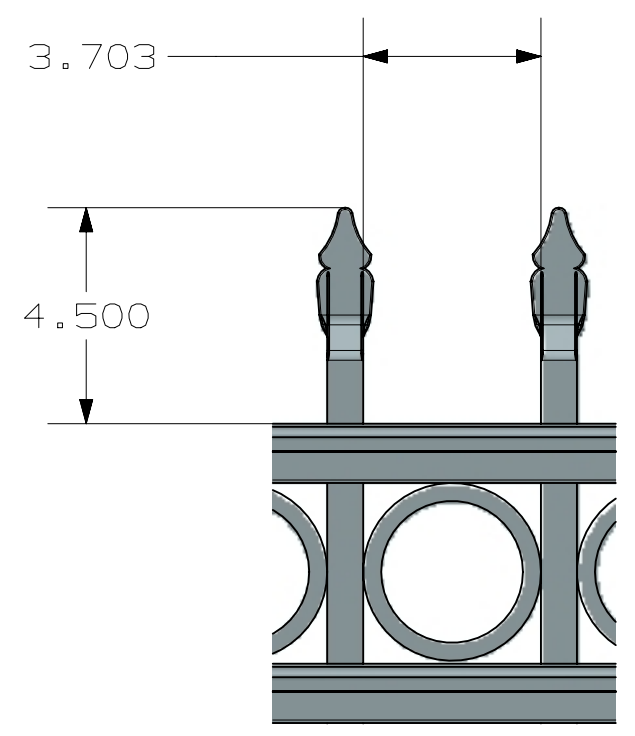
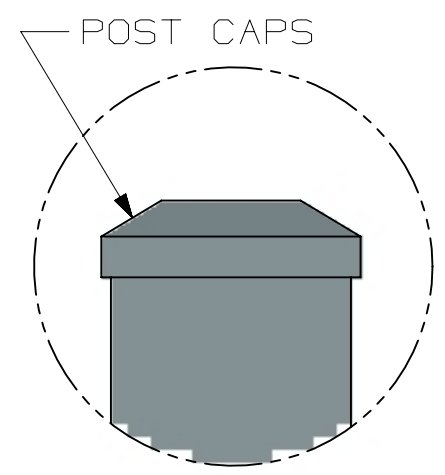


TOLERANCE	TAPE MEASURE ±1/16"	CALIPER ±.010"	DRAWING APPROVED	BOM ENTERED	ALLOY
OVERRIDDEN					COMMENTS

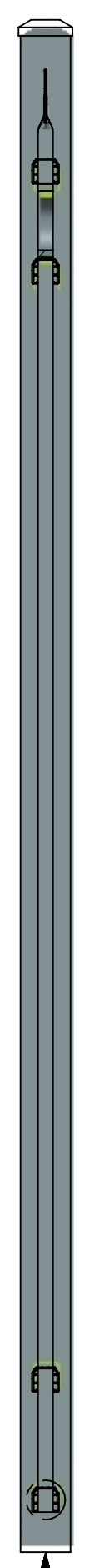
REV	NOTES
-----	-------

A
B
C
D
E
F
G
H

A
B
C
D
E
F
G
H



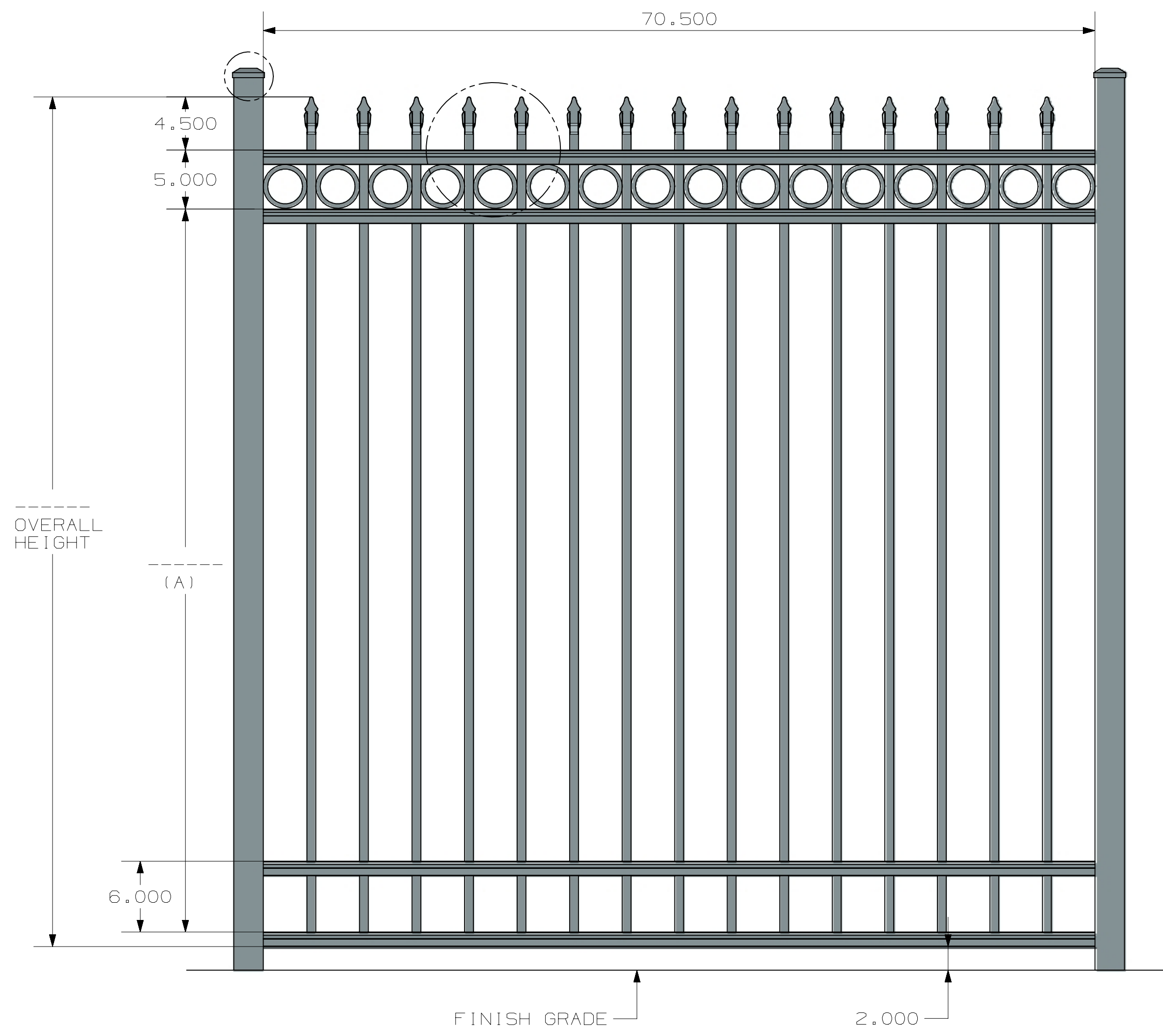
3/4" x 3/4" x .055" COMMERCIAL PICKET



- POST OPTIONS
- 2" X 2" X .080 WALL
 - 2" X 2" X .125 WALL
 - 2.5" X 2.5" X .100 WALL
 - 3" X 3" X .125 WALL

HEIGHT	A
3'	21 1/4"
3 1/2'	31 1/4"
4'	37 1/4"
4 1/2'	43 1/4"
5'	49 1/4"
6'	61 1/4"

INSIDE OF POST WIDTH	
NOMINAL	ACTUAL
4'	46.5"
6'	70.5"
8'	94.5"



ULTRA ALUMINUM MANUFACTURING, INC
2124 GRAND COMMERCE DR. HOWELL, MI 48855
PHONE (800) 656-4420 FAX (800) 643-7426

	DATE	12-7-2023
	REV	1
	SHEET	1 OF 1

UAF-100 SPEAR TOP
FLUSH BOTTOM
COMMERCIAL SHOP DRAWING
CIRLCES
4-RAIL

UAS-100 FLUSH BOTTOM COMMERCIAL SPEAR TOP CIRCLES 6X6 4 RAIL