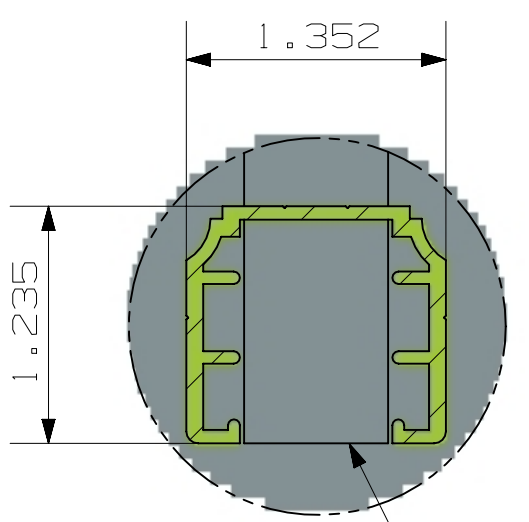
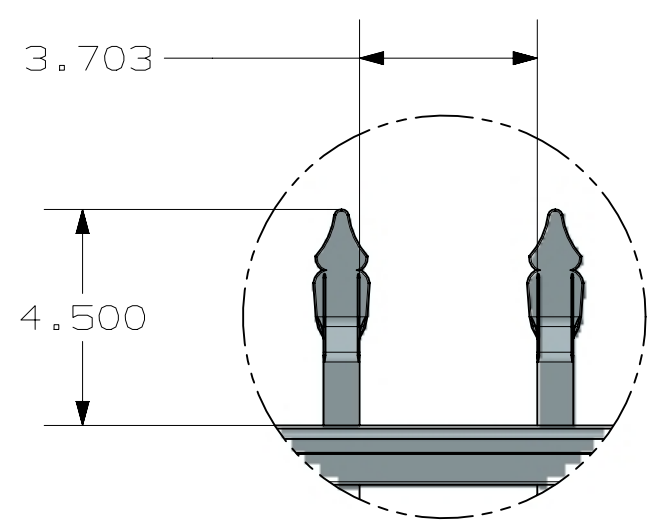
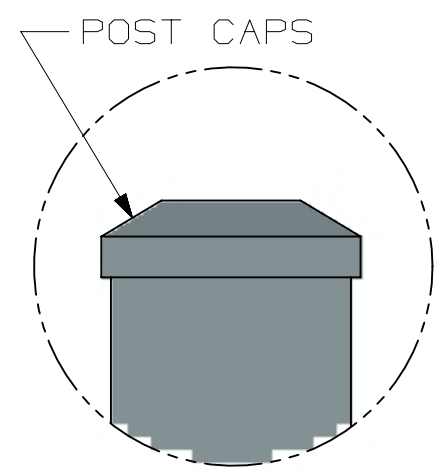


| | | | | | |
|------------|---------------------|----------------|------------------|-------------|----------|
| TOLERANCE | TAPE MEASURE ±1/16" | CALIPER ±.010" | DRAWING APPROVED | BOM ENTERED | ALLOY |
| OVERRIDDEN | | | | | COMMENTS |

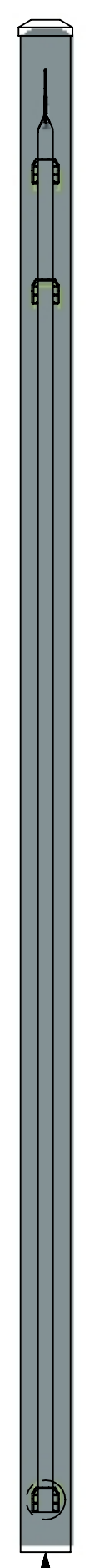
| REV | NOTES |
|-----|-------|
|-----|-------|

A
B
C
D
E
F
G
H

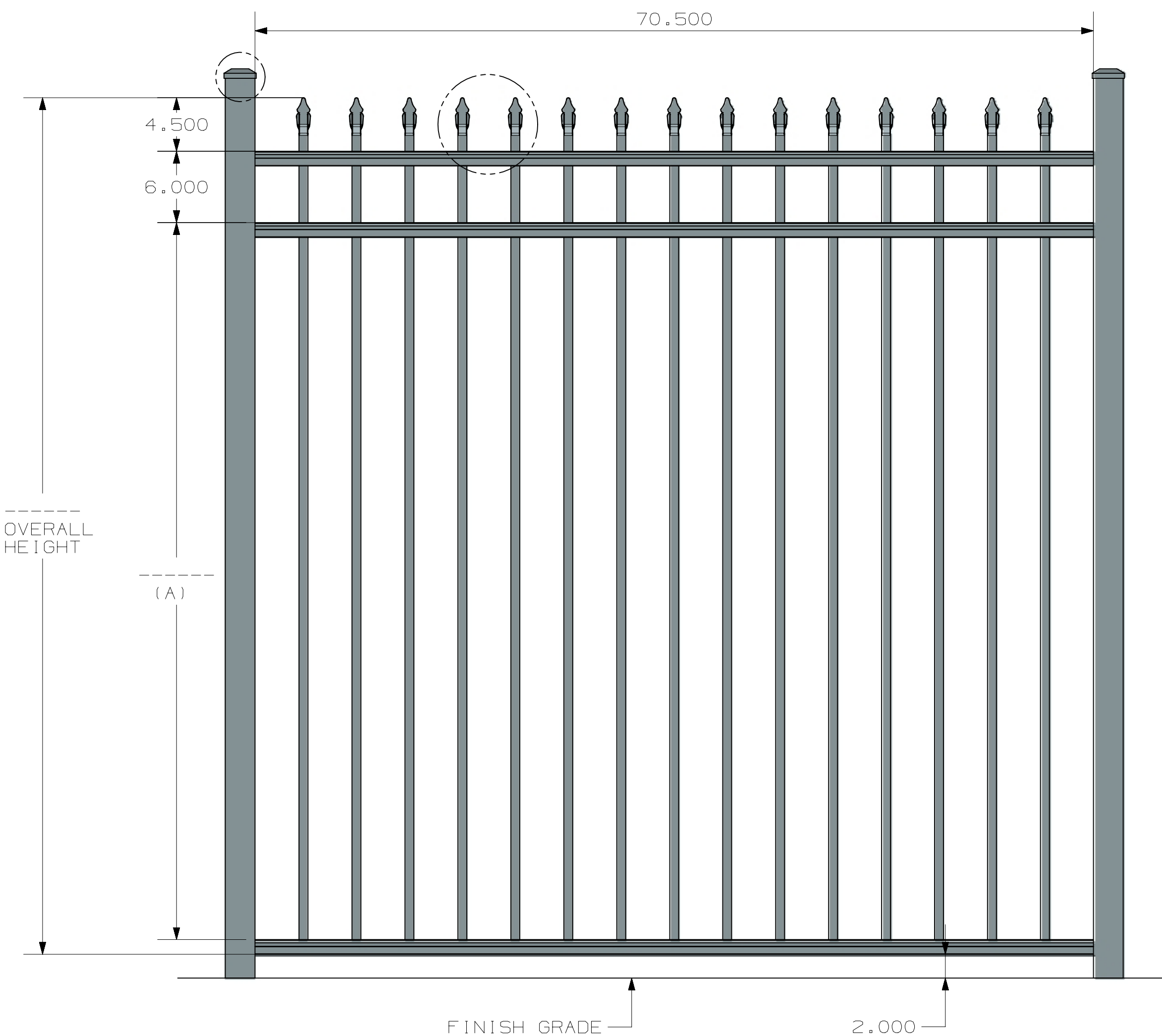
A
B
C
D
E
F
G
H



3/4" x 3/4" x .055" COMMERCIAL PICKET



- POST OPTIONS
- 2" X 2" X .080 WALL
 - 2" X 2" X .125 WALL
 - 2.5" X 2.5" X .100 WALL
 - 3" X 3" X .125 WALL



OVERALL HEIGHT

(A)

FINISH GRADE

2.000

| HEIGHT | A |
|--------|---------|
| 3' | 24 1/4" |
| 3 1/2' | 30 1/4" |
| 4' | 36 1/4" |
| 4 1/2' | 42 1/4" |
| 5' | 48 1/4" |
| 6' | 60 1/4" |

| INSIDE OF POST WIDTH | |
|----------------------|--------|
| NOMINAL | ACTUAL |
| 4' | 46.5" |
| 6' | 70.5" |
| 8' | 94.5" |

ULTRA ALUMINUM MANUFACTURING, INC
2124 GRAND COMMERCE DR. HOWELL, MI 48855
PHONE (800) 656-4420 FAX (800) 643-7426

| | | |
|--|-------|-----------|
| | DATE | 12-5-2023 |
| | REV | 1 |
| | SHEET | 1 OF 1 |

UAF-100 SPEAR TOP
FLUSH BOTTOM
COMMERCIAL SHOP DRAWING
3-RAIL

UAS-100 FLUSH BOTTOM COMMERCIAL SPEAR TOP 6X6 3 RAIL