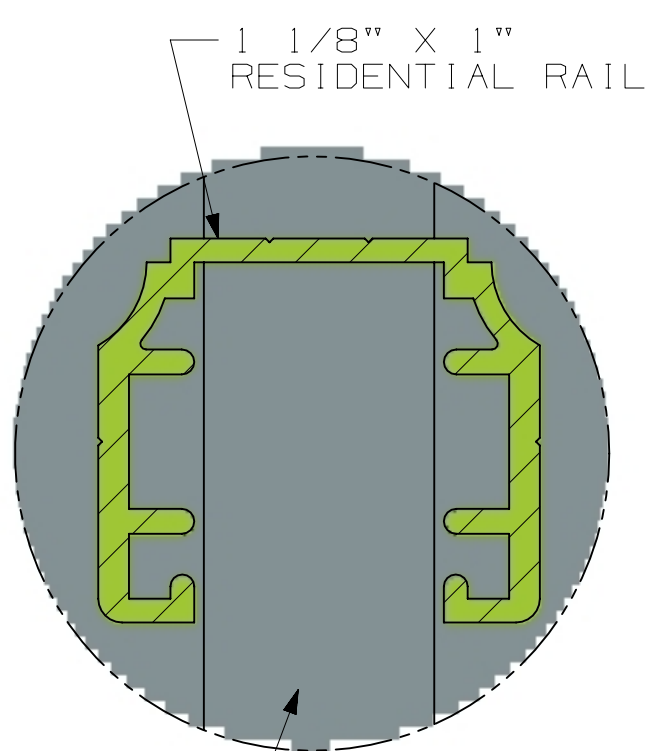
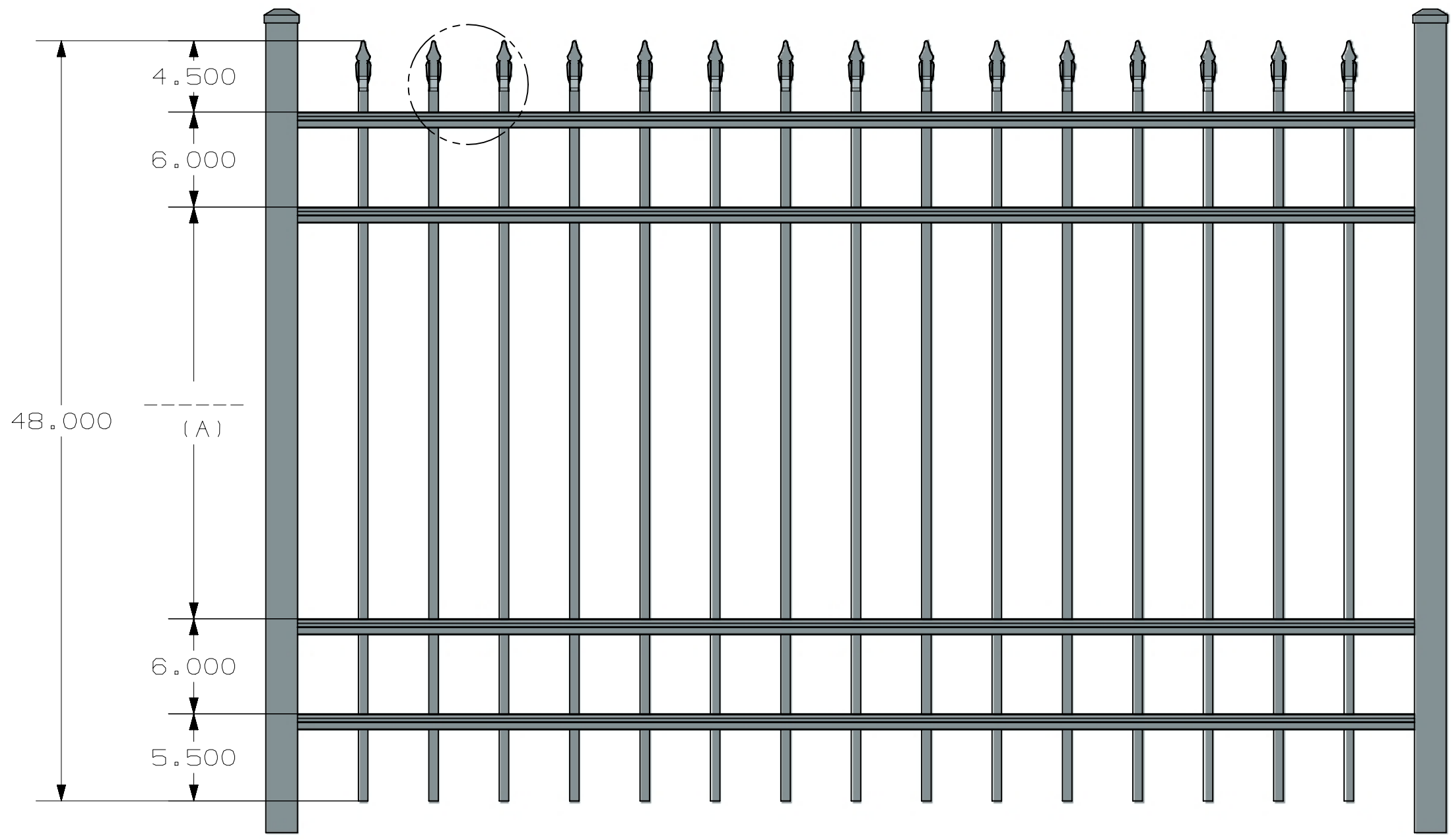
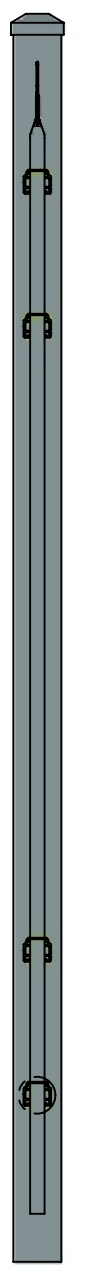
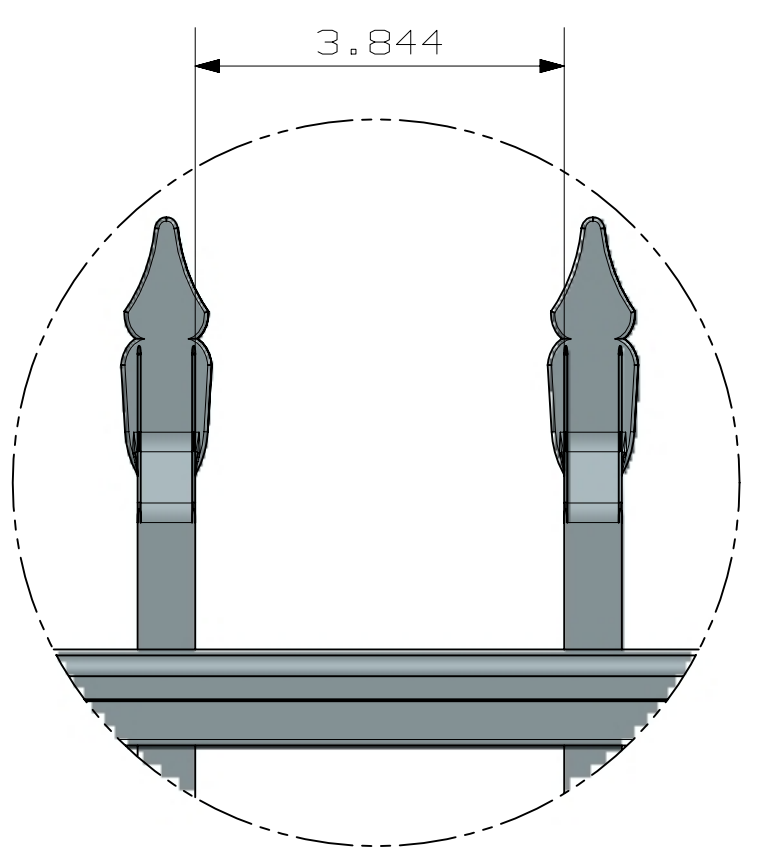


| | | | | | |
|------------|---------------------|----------------|------------------|-------------|----------|
| TOLERANCE | TAPE MEASURE ±1/16" | CALIPER ±.010" | DRAWING APPROVED | BOM ENTERED | ALLOY |
| OVERRIDDEN | | | | | COMMENTS |

| REV | NOTES |
|-----|-------|
|-----|-------|



| HEIGHT | (A) |
|--------|-----|
| 3' | 14" |
| 3 1/2' | 20" |
| 4' | 26" |
| 4 1/2' | 32" |
| 5' | 38" |
| 6' | 50" |

| INSIDE OF POST WIDTH | |
|----------------------|----------|
| NOMINAL | ACTUAL |
| 5' | 61.6875" |
| 6' | 70.5" |
| 7' | 83.875" |

ULTRA ALUMINUM MANUFACTURING, INC
 2124 GRAND COMMERCE DR. HOWELL, MI 48855
 PHONE (800) 656-4420 □ FAX (800) 643-7426

| | | |
|--|-------|------------|
| | DATE | 12-15-2023 |
| | REV | 1 |
| | SHEET | 1 OF 1 |

RESIDENTIAL
 UAS - 100 SPEAR TOP
 STD BOTTOM
 4 - RAIL

UAS-100 SPEAR TOP STD BOTTOM RESIDENTIAL 6X4 4-RAIL