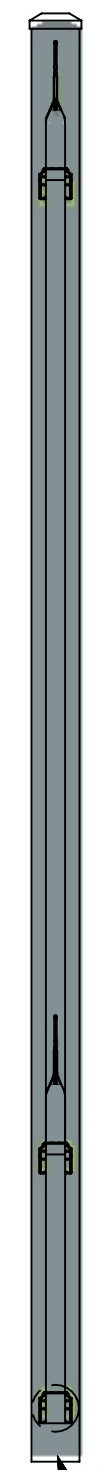
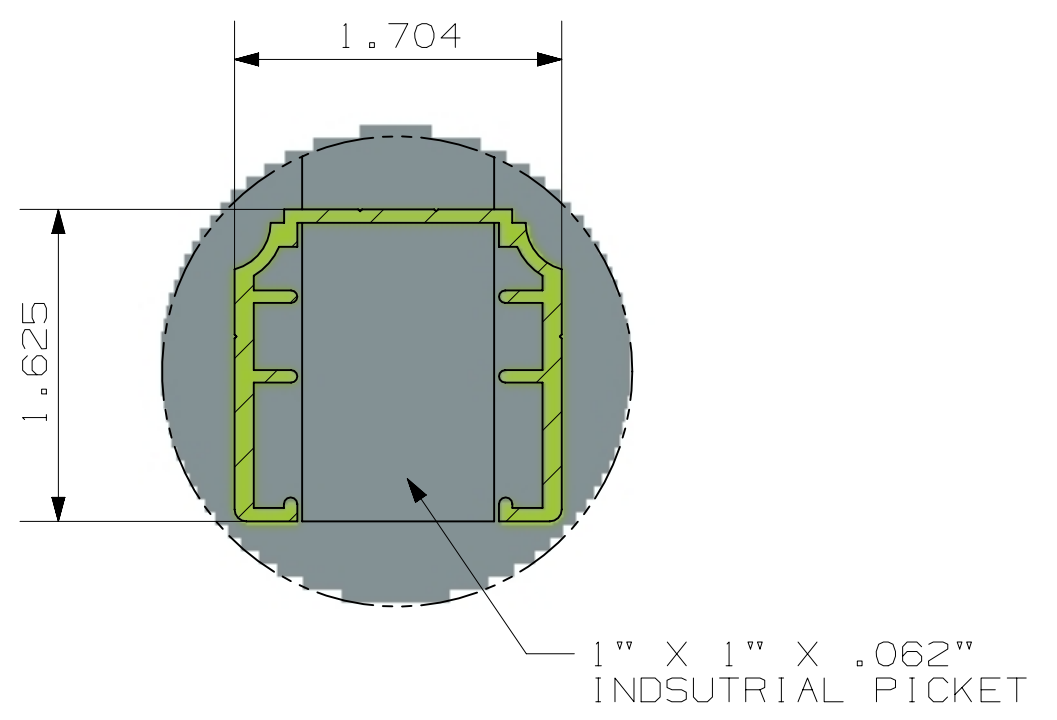
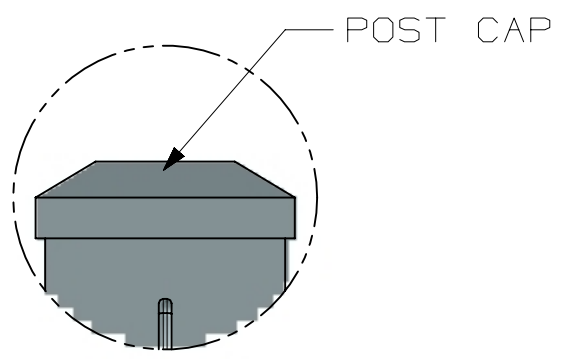
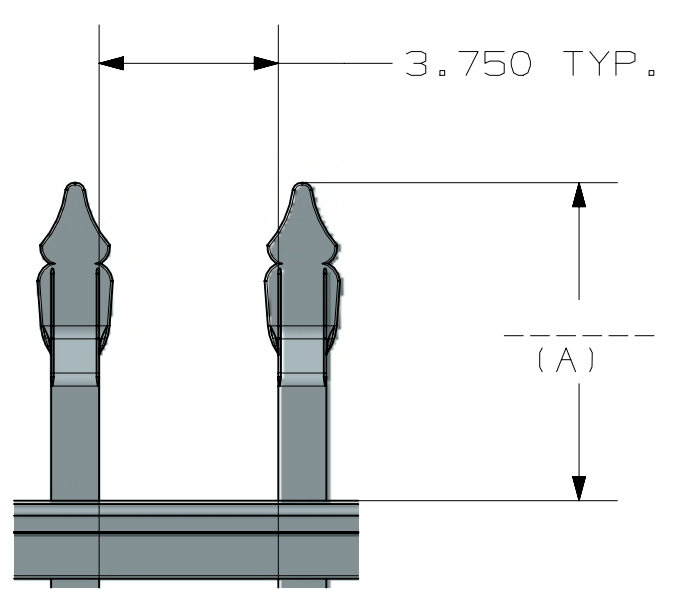


TOLERANCE	TAPE MEASURE ±1/16"	CALIPER ±.010"	DRAWING APPROVED	BOM ENTERED	ALLOY
OVERRIDDEN					COMMENTS

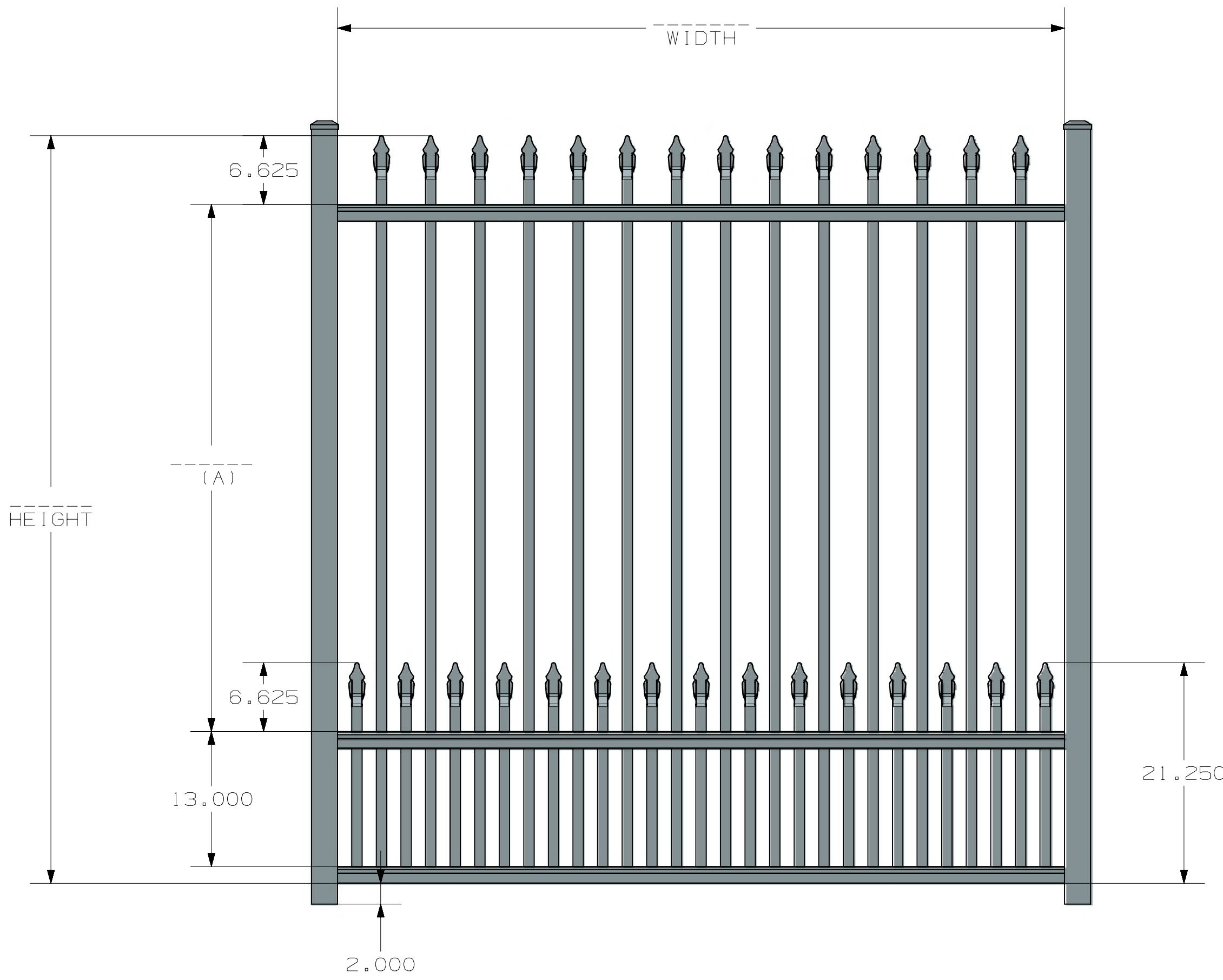
REV	NOTES
-----	-------

A
B
C
D
E
F
G
H

A
B
C
D
E
F
G
H



POST OPTIONS
 2 1/2" X 2 1/2" X .100 WALL
 3" X 3" X .125" WALL
 4" X 4" X .125" WALL



HEIGHT	A
4'	26 3/4"
4 1/2'	32 3/4"
5'	38 3/4"
6'	50 3/4"

NOMINAL WIDTH	RAIL LENGTH
6'	71 1/2"
8'	100"

ULTRA ALUMINUM MANUFACTURING, INC
 2124 GRAND COMMERCE DR. HOWELL, MI 48855
 PHONE (800) 656-4420 FAX (800) 643-7426

	DATE	12-12-2023
	REV	1
	SHEET	1 OF 1

UAS-100 SPEAR TOP
 FLUSH BOTTOM
 INDUSTRIAL SHOP DRAWING
 SHORT SPEAR
 3-RAIL

UAS-100 FLUSH BOTTOM INDUSTRIAL SPEAR TOP SHORT SPEAR 6X6 3 RAIL