

TOLERANCE	TAPE MEASURE ±1/16"	CALIPER ±.010"	DRAWING APPROVED	BOM ENTERED	ALLOY
OVERRIDDEN					COMMENTS

REV	NOTES
-----	-------

A

B

C

D

E

F

G

H

A

B

C

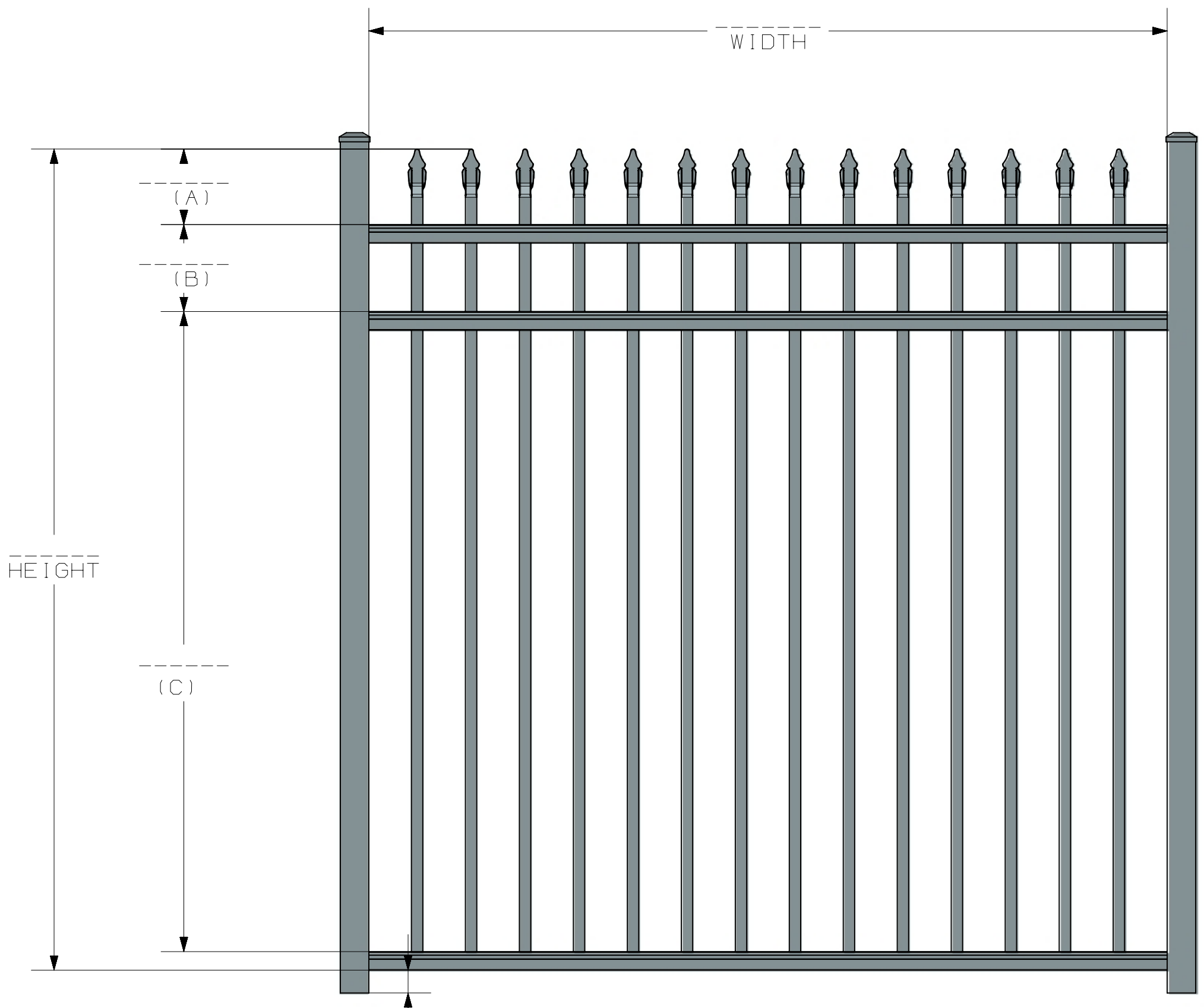
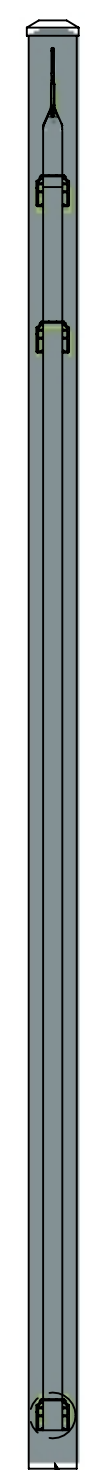
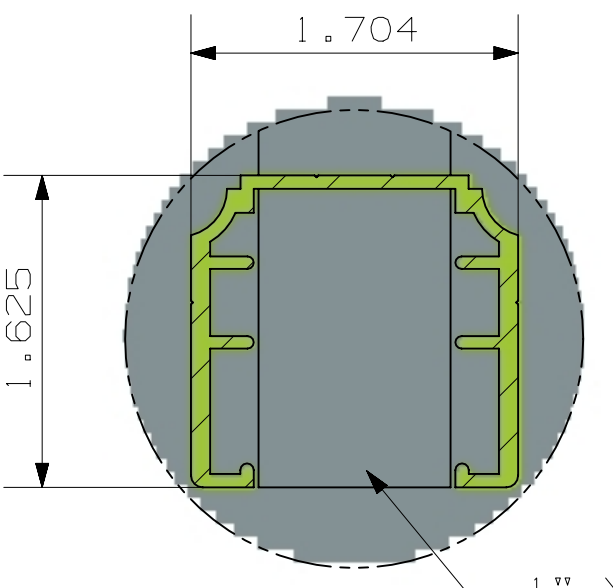
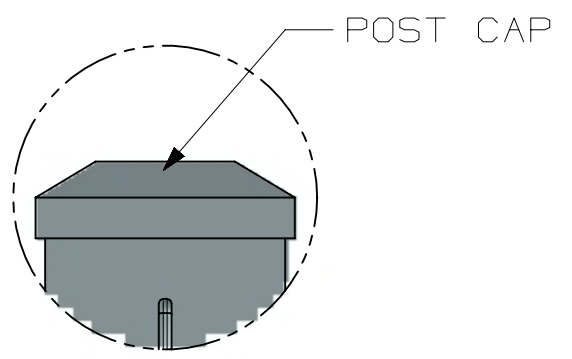
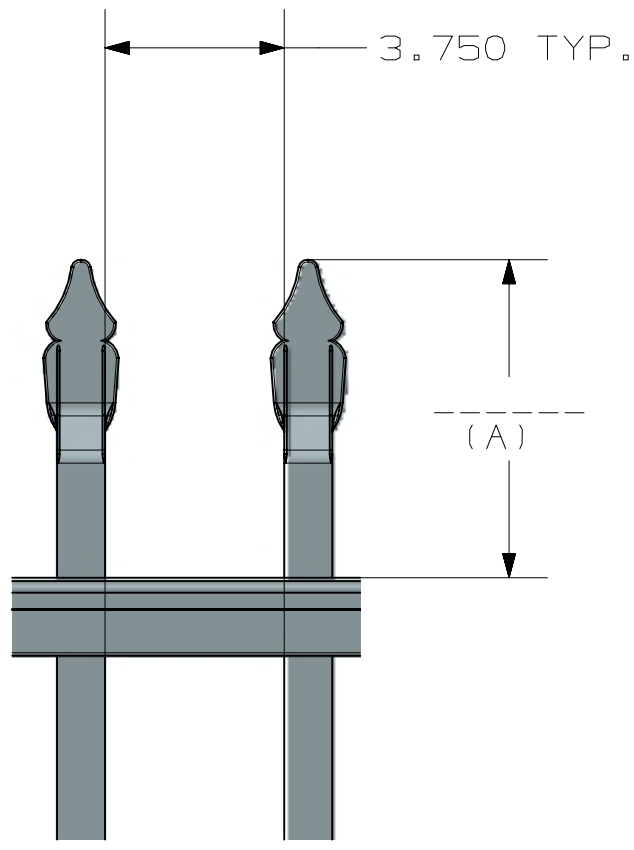
D

E

F

G

H



POST OPTIONS  
 2 1/2" X 2 1/2" X .100 WALL  
 3" X 3" X .125" WALL  
 4" X 4" X .125" WALL

HEIGHT	A	B	C
4'	6 5/8"	7 5/8"	32 1/8"
4 1/2'	6 5/8"	7 5/8"	38 1/8"
5'	6 5/8"	7 5/8"	44 1/8"
6'	6 5/8"	7 5/8"	56 1/8"

NOMINAL WIDTH	RAIL LENGTH
6'	71 1/2"
8'	100"

ULTRA ALUMINUM MANUFACTURING, INC  
 2124 GRAND COMMERCE DR. HOWELL, MI 48855  
 PHONE (800) 656-4420 FAX (800) 643-7426

	DATE	12-7-2023
	REV	1
	SHEET	1 OF 1

UAS-100 SPEAR TOP  
 FLUSH BOTTOM  
 INDUSTRIAL SHOP DRAWING  
 3-RAIL

UAS-100 FLUSH BOTTOM INDUSTRIAL SPEAR TOP 6X6 3 RAIL