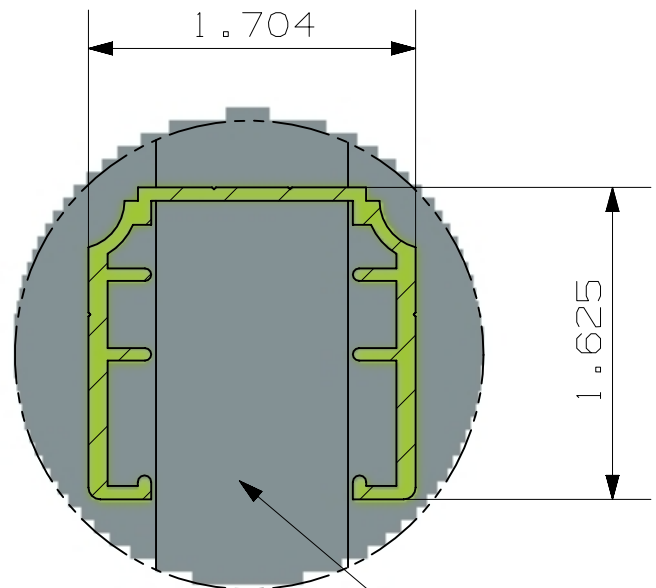
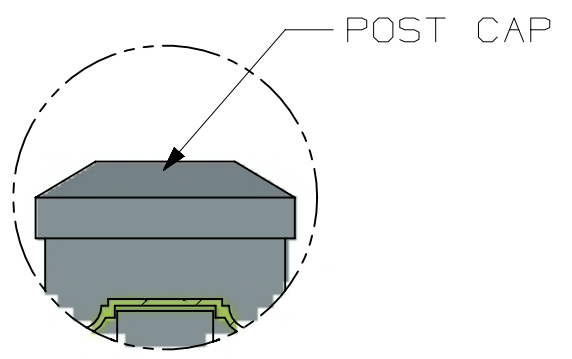
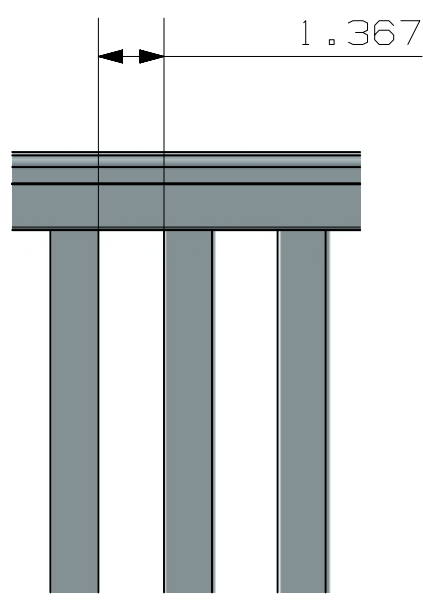


TOLERANCE	TAPE MEASURE ±1/16"	CALIPER ±.010"	DRAWING APPROVED	BOM ENTERED	ALLOY
OVERRIDDEN					COMMENTS

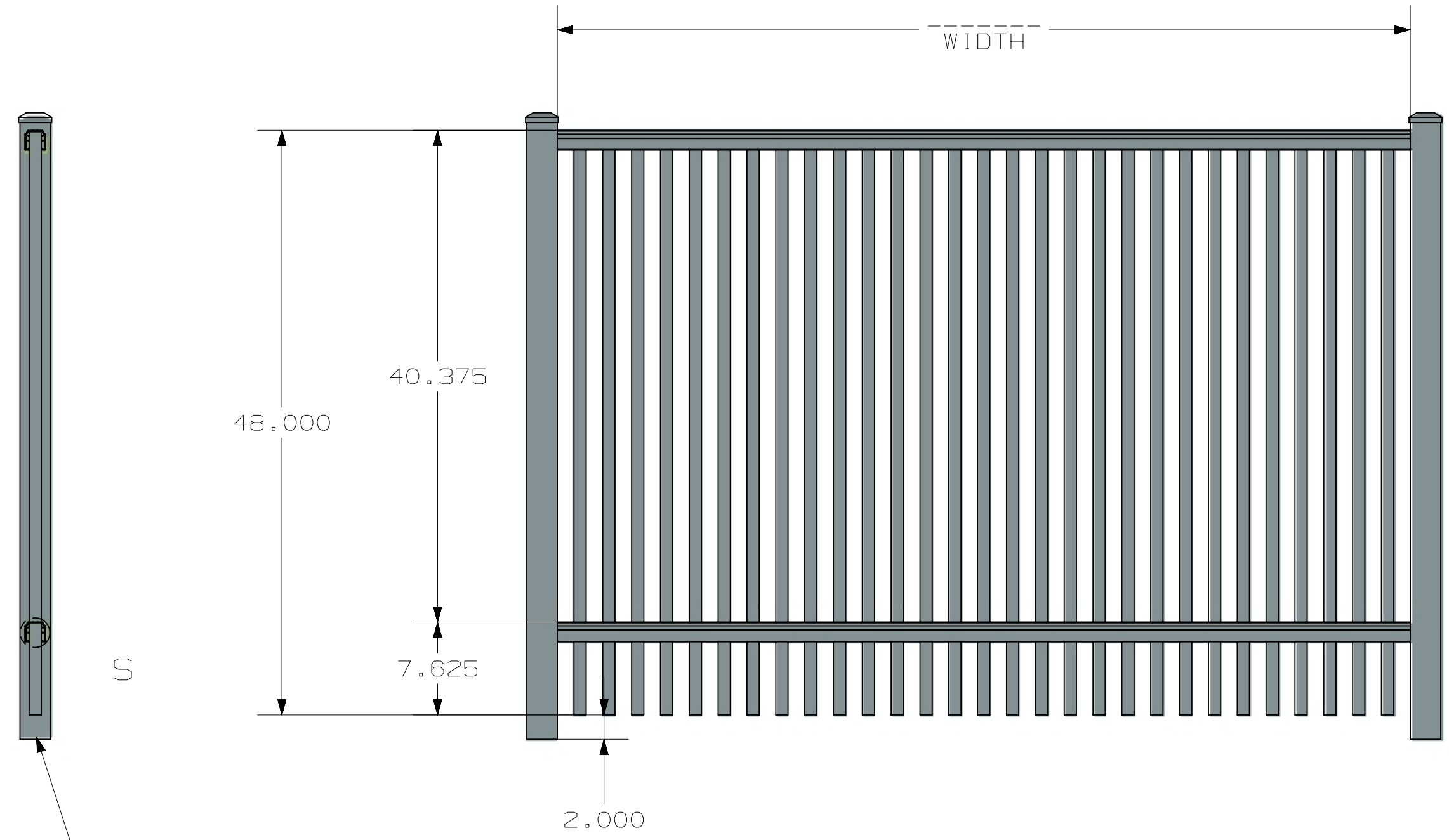
REV	NOTES
-----	-------

A
B
C
D
E
F
G
H

A
B
C
D
E
F
G
H



DETAIL S
SCALE 1:1



- POST OPTIONS
 2 1/2" X 2 1/2" X .100 WALL
 3" X 3" X .125" WALL
 4" X 4" X .125" WALL

NOMINAL WIDTH	RAIL LENGTH
6'	71 1/2"
8'	100"

ULTRA ALUMINUM MANUFACTURING, INC
 2124 GRAND COMMERCE DR. HOWELL, MI 48855
 PHONE (800) 656-4420 □ FAX (800) 643-7426

	DATE	11-30-2023
	REV	2
	SHEET	1 OF 1

UAF-201
 STD BOTTOM
 INDUSTRIAL SHOP DRAWING
 2-RAIL

UAF-201 STD BOTTOM INDUSTRIAL 6X4 2-RAIL