



Force Engineering & Testing Inc.

2405 A S. Houston Ave. Suite 500

Humble, Texas 77396

Phone: (281) 540-6603

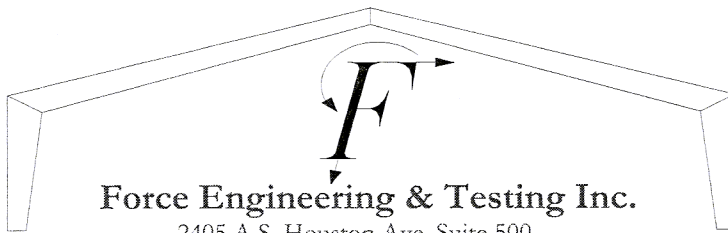
Fax: (281) 540-9966

MODEL UAF 200

ULTRA ALUMINUM MFG



JUL 20 2006



Force Engineering & Testing Inc.

2405 A S. Houston Ave. Suite 500

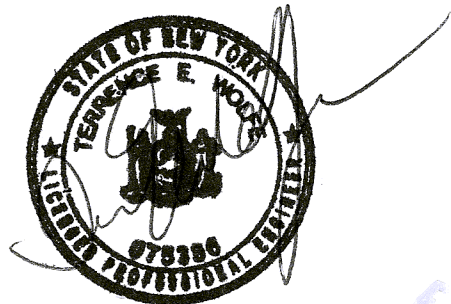
Humble, Texas 77396

Phone: (281) 540-6603

Fax: (281) 540-9966

TABLE OF CONTENTS

	Page
Design Summary	1
Fence Specifications	2, 3
Wind Load Analysis per ASCE7-98	4, 5
Fence component analysis	6, 7
Fence component loading analysis	8 - 22
Fence component section properties	23 - 27
Aluminum design aids	28 - 31



JUL 20 2006

DESIGN SUMMARY FOR UAF 200

DESIGN WIND PRESSURE: 190 PSF = 259 MPH (Per ASCE7-98)

MAX FENCE HEIGHT: 48"

MAX COLUMN SPACING: 72 7/8" O.C.

POST: 3" x 3" x .125" (6005-T5)

H-RAIL: 1.704" x 1.625" (SIDES: .100" TOP: .070") (6005-T5)

PICKETS: 1" x 1" x .060" (6063-T5)

PICKET SPACING: 4 5/8" O.C.

***DESIGNED IN ACCORDANCE WITH ANSI/ASCE7-98 AND
ALUMINUM DESIGN MANUAL 2000**

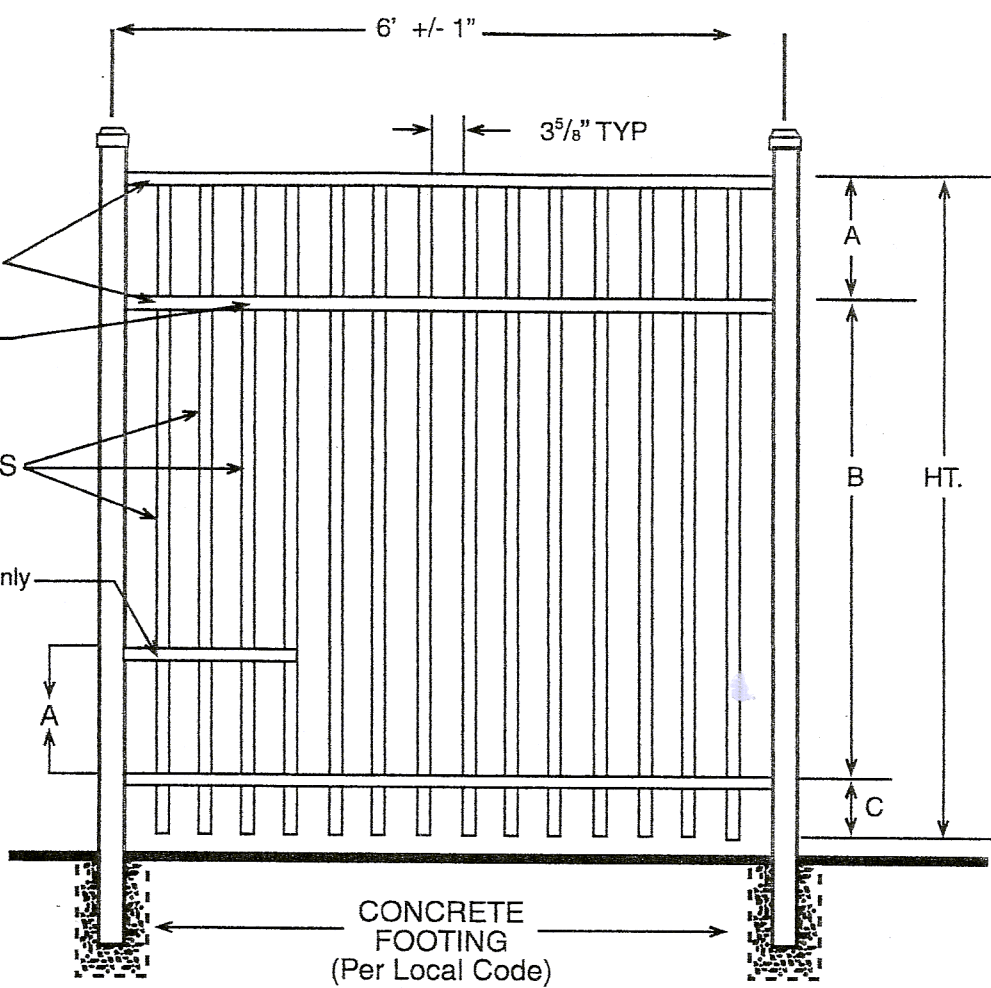
NOTE:

Standard for 4', 5' & 6' high (3' high is a 2 rail system)

PICKETS

NOTE:

This rail added for 7' thru 10' heights only



ALUMINUM MFG., INC.

UAF 200

FLAT TOP

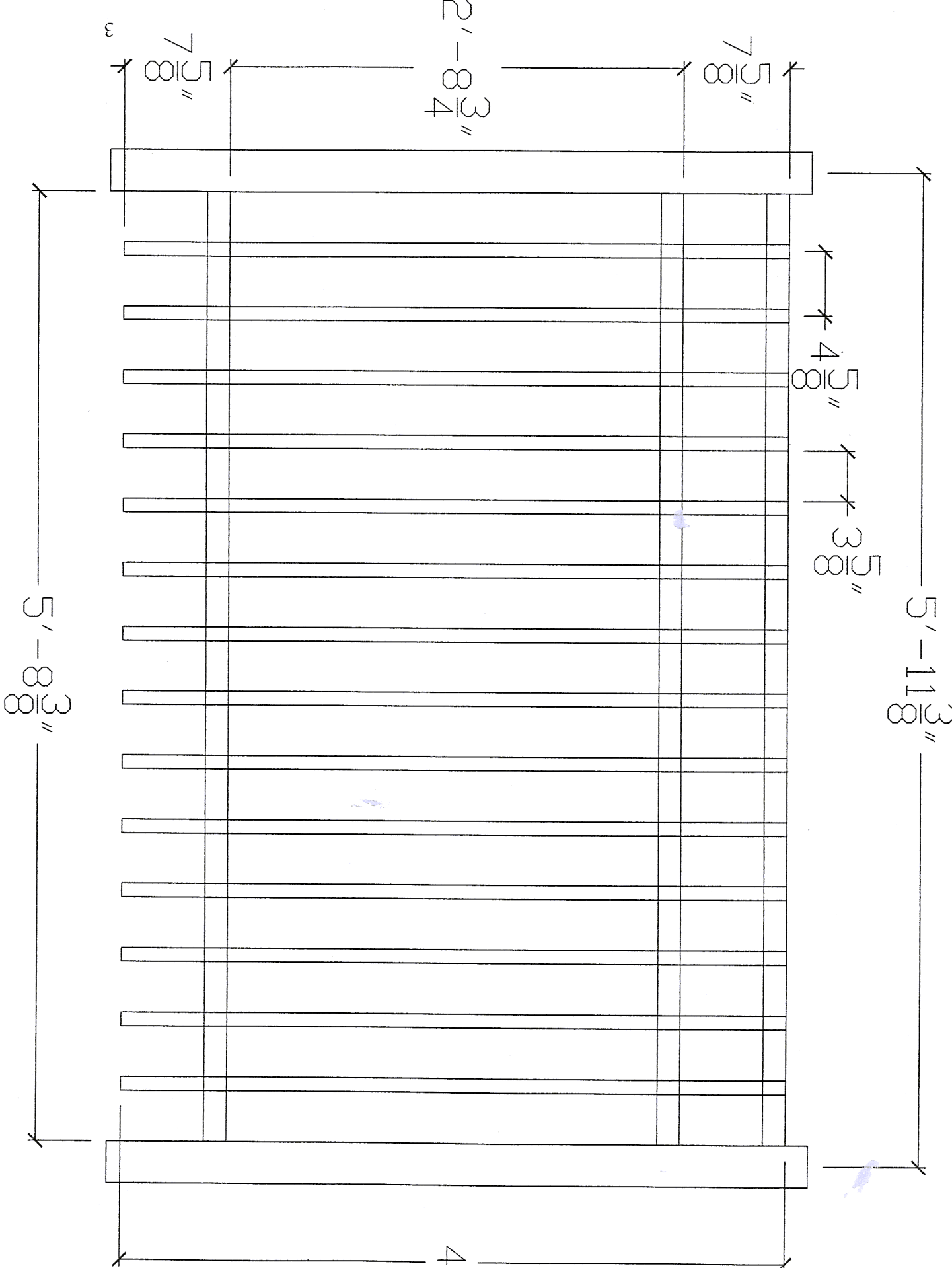
SPECIFICATIONS INDUSTRIAL

Posts	2½" x 2½" x .100 Wall 3" x 3" x .125 Wall ← 4" x 4" x .125 Wall
Horizontal Rails Enclosed Bottom Side Walls Top Walls	1⅝" x 1⅝" Available .100" .070"
Pickets Picket Spacing	1" x 1" x .062 Wall 3⅝" or 1½"
Available Heights	3, 4, 5, 6, 7, 8, 9, & 10 Ft.
Note: Panels with decorative circles or butterflies have 13 pickets with picket spacing of 4"	

DIMENSIONS

HT	A	B	C	E	F
3'	7⅝"	20¾"	7⅝"	Per Local Code	
4'	7⅝"	32¾"	7⅝"	Per Local Code	
5'	7⅝"	44¾"	7⅝"	Per Local Code	
6'	7⅝"	56¾"	7⅝"	Per Local Code	
7'	10⅝"	62¾"	10⅝"	Per Local Code	
8'	10⅝"	74¾"	10⅝"	Per Local Code	
9'	13⅝"	80¾"	13⅝"	Per Local Code	
10'	13⅝"	92¾"	13⅝"	Per Local Code	

Project:	
Owner:	
Submitted By:	Date:
2	



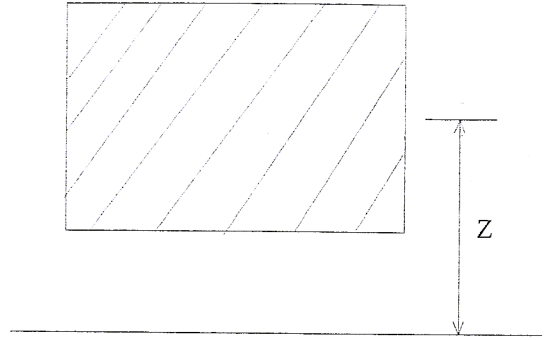
Archwind 98 :

WIND PRESSURE

OPEN STRUCTURE
OPEN SIGNS OR LATTICE FRAMEWORKS

Applied Wind Pressure = 189.83 psf ←
Center height = 2.20 ft
Apply pressure in both directions.

If pressure is less than 10 psf, use 10 psf for design.
Apply pressure over area of review.



CONSTANTS USED

OPEN STRUCTURE

OPEN SIGNS AND LATTICE FRAMEWORKS

Note, a sign or wall is considered open if openings are greater than 30% of the gross area.

Height to center of structure, $Z = 2.20$ ft

Gross area of structure = 26.60 sf

Solid area of structure = 7.07 sf

Members are flat members.

$C_f = 1.80$

$G = 0.85$

Velocity Pressure, $q = 124.07$ psf

Exposure Coeff., $K_z = 0.85$

Wind Speed, $V = 259.0$ MPH ←

Exposure Cat. = C

Importance Cat. = 2

Topographic Factor, $K_{zt} = 1.00$

Wind Direction Factor, $K_d = 0.85$

Pressure calculation is based on ASCE 7-98, Eq. 6-20