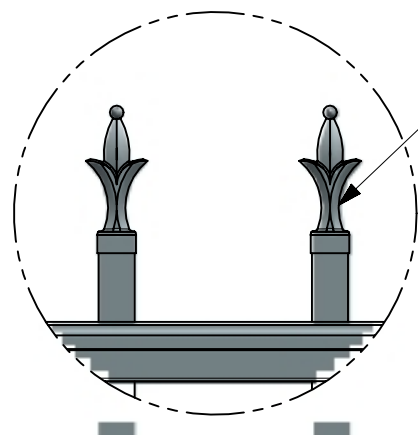
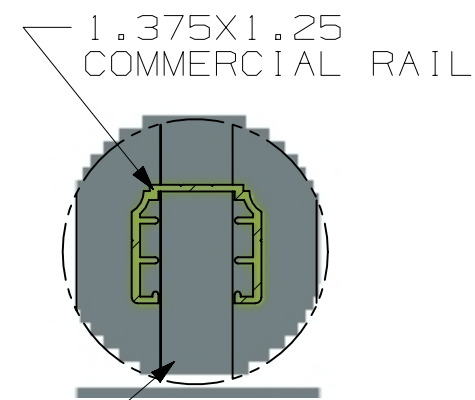


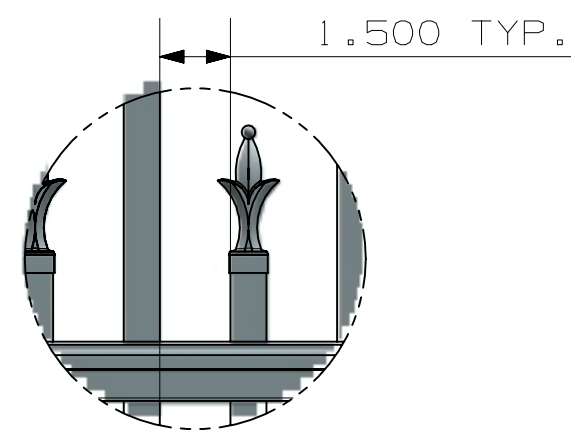
DETAIL B
SCALE 1:2



DETAIL A
SCALE 1:4



DETAIL C
SCALE 1:2

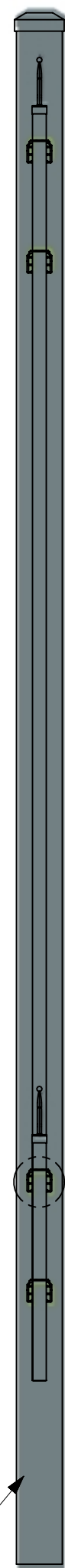


DETAIL E
SCALE 1:4

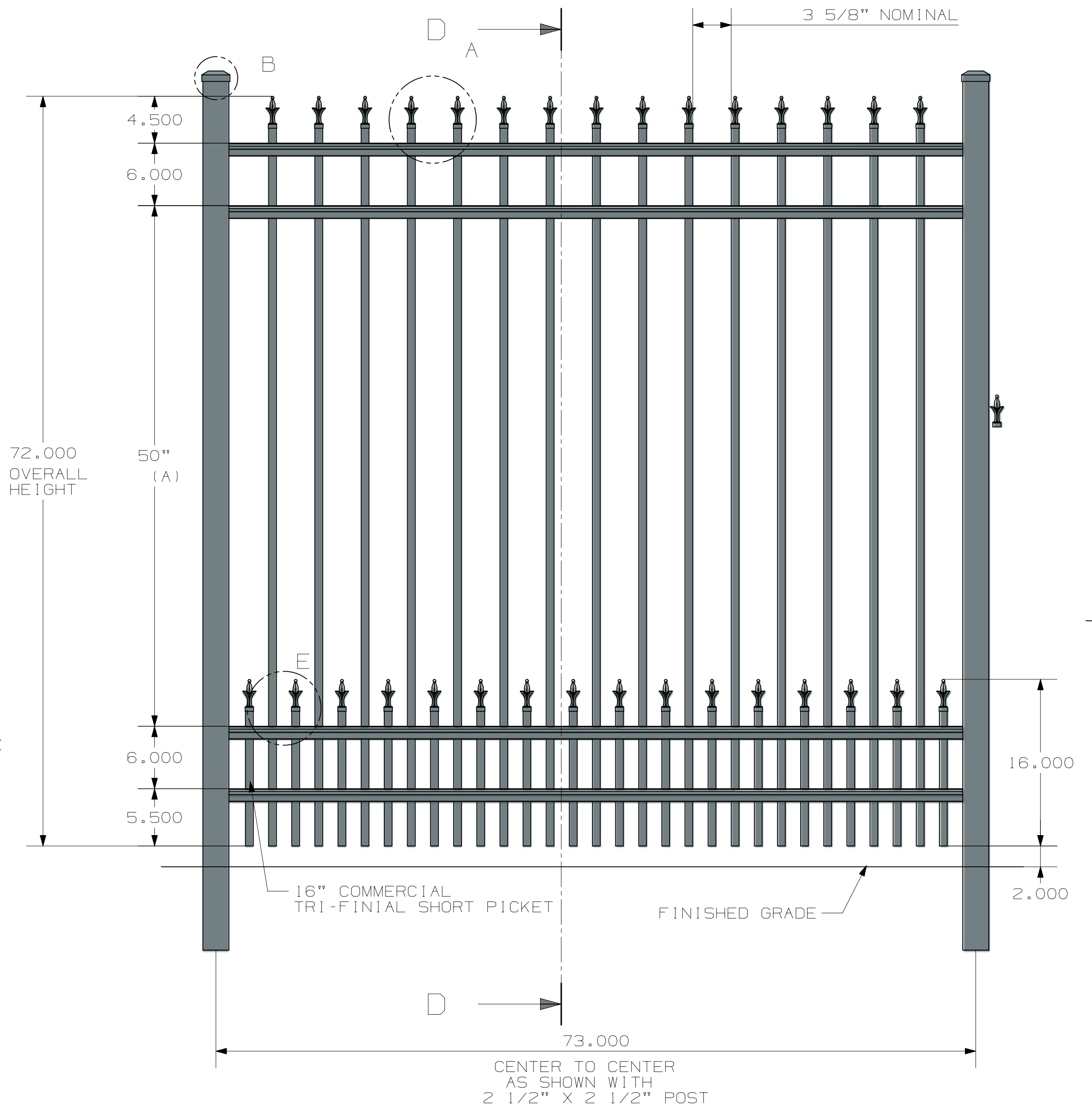
- POST OPTIONS
- 2" X 2" X .080" WALL
 - 2" X 2" X .125" WALL
 - 2 1/2" X 2 1/2" X .100" WALL
 - 3" X 3" X .125" WALL

HEIGHT	A
3'	14"
3 1/2'	20"
4'	26"
4 1/2'	32"
5'	38"
6'	50"

3D CAD MASTER PART NAME:



SECTION D-D



ULTRA ALUMINUM MANUFACTURING, INC.
2124 GRAND COMMERCE DR. HOWELL, MI 48855
PHONE (800) 656-4420 FAX (800) 646-7429

FIRST ISSUED
DRAWN BY
CHECKED BY
APPROVED BY

TITLE
UAS-100 STD BOTTOM WITH TRI-FINIAL PICKET WITH 16" TRI-FINIAL PICKET COMMERCIAL

SCALE 1:1

SIZE DRG NO. C
UAS-100 STD BOTTOM COMMERCIAL TRI-FINIAL PICKET W SHORT TRI-FINIAL PICKET 6X6
REV SHEET 1 OF 1

ALL DIMENSIONS IN INCHES