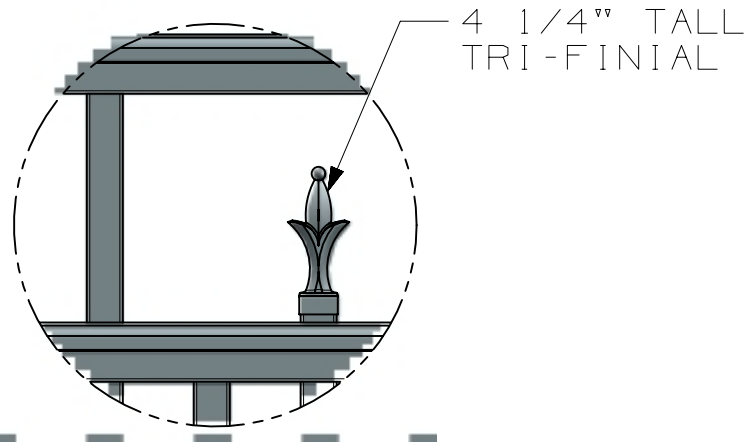
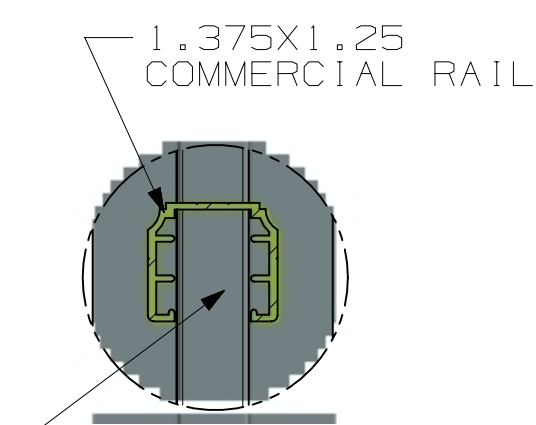


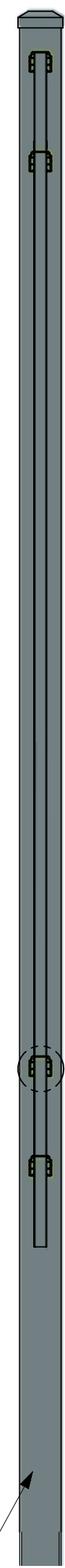
DETAIL B
SCALE 1:2



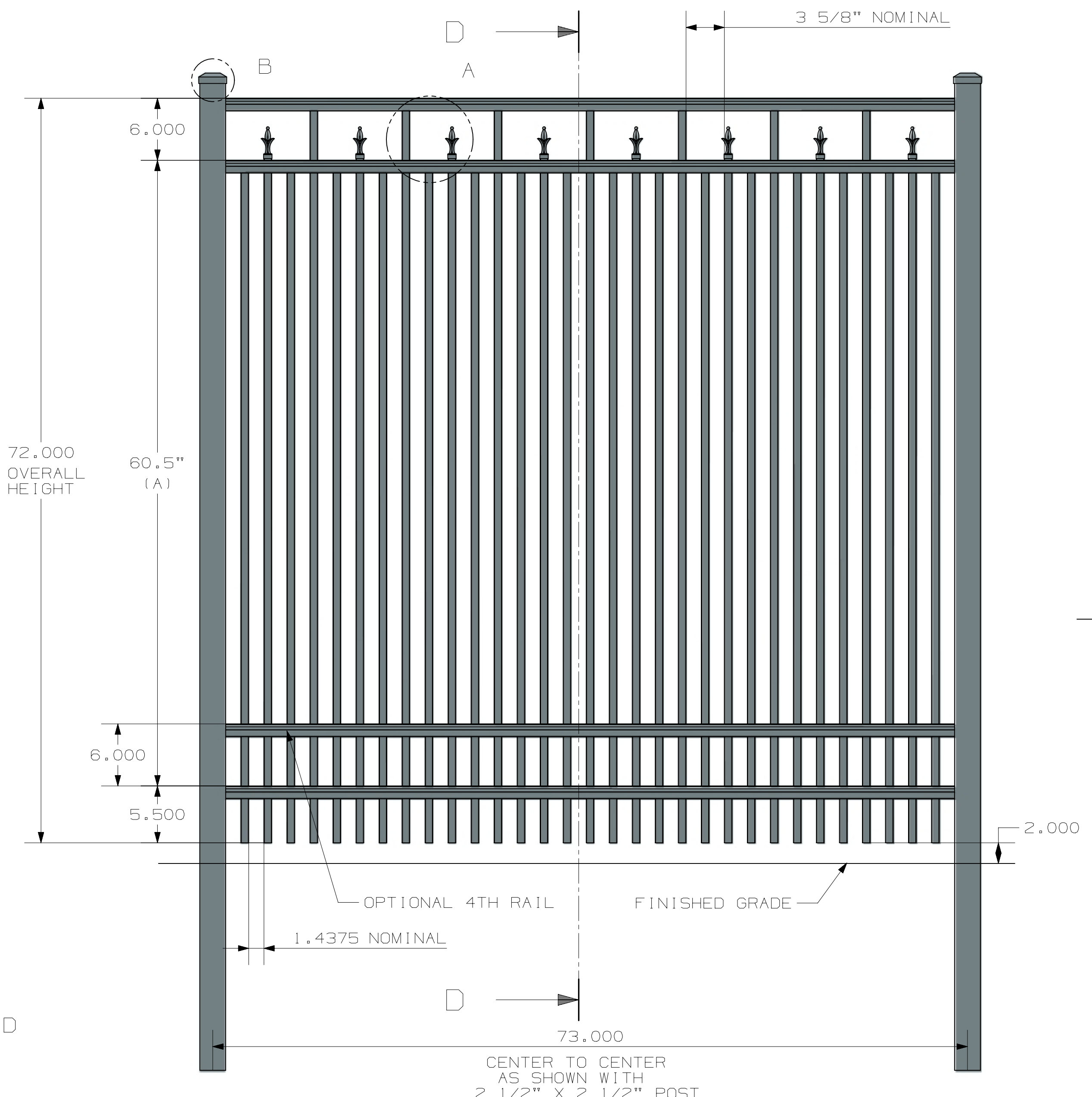
DETAIL A
SCALE 1:4



DETAIL C
SCALE 1:2



SECTION D-D



HEIGHT	A
3'	24 1/2"
3 1/2'	30 1/2"
4'	36 1/2"
4 1/2'	42 1/2"
5'	48 1/2"
6'	60 1/2"

- POST OPTIONS
- 2" X 2" X .080" WALL
 - 2" X 2" X .125" WALL
 - 2 1/2" X 2 1/2" X .100" WALL
 - 3" X 3" X .125" WALL

3D CAD MASTER PART NAME:

ALL DIMENSIONS IN INCHES



ULTRA ALUMINUM MANUFACTURING, INC.
 2124 GRAND COMMERCE DR. HOWELL, MI 48855
 PHONE (800) 656-4420 FAX (800) 646-7429

FIRST ISSUED
 DRAWN BY
 CHECKED BY
 APPROVED BY

TITLE
 UAF-251 FLAT TOP STD BOTTOM WITH TRI-FINIALS COMMERCIAL

SCALE 1:1

SHEET 1 OF 1