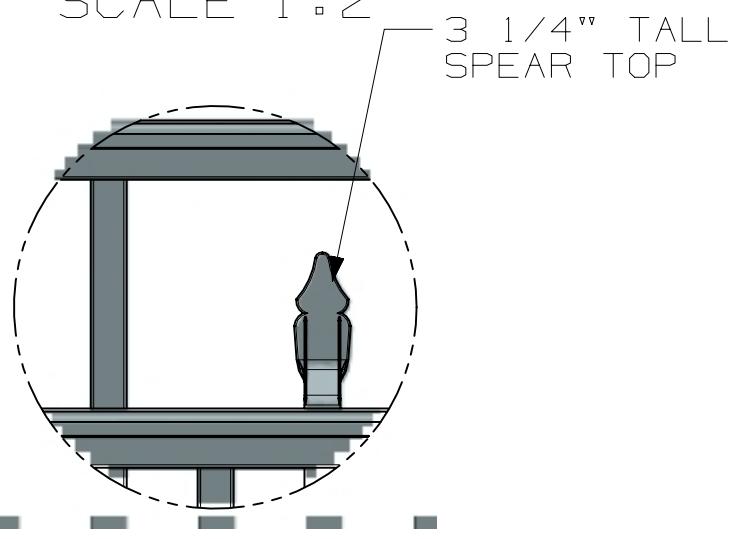
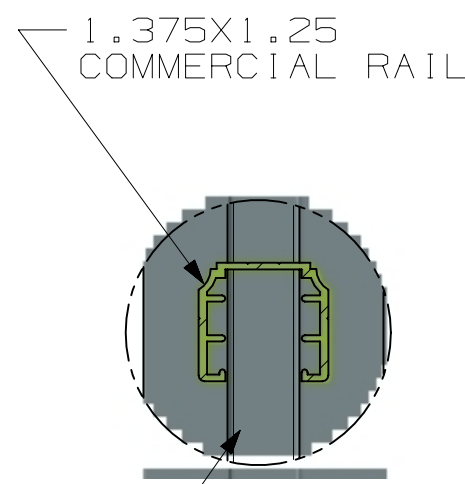


DETAIL B
SCALE 1:2



DETAIL A
SCALE 1:4



DETAIL C
SCALE 1:2

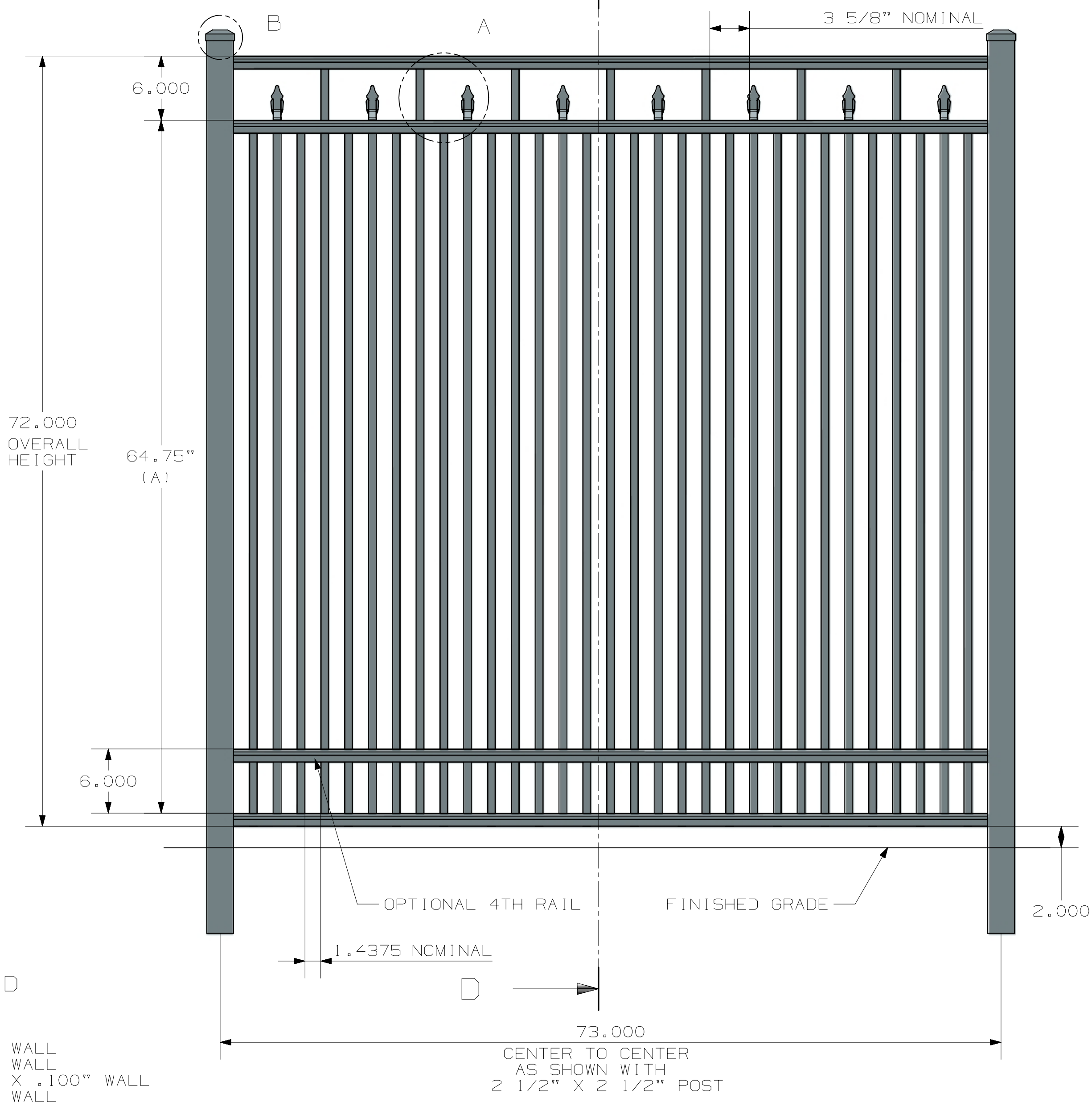
3/4" X 3/4" X .055 WALL
COMMERCIAL PICKET

- POST OPTIONS
- 2" X 2" X .080" WALL
 - 2" X 2" X .125" WALL
 - 2 1/2" X 2 1/2" X .100" WALL
 - 3" X 3" X .125" WALL

72.000
OVERALL
HEIGHT

64.75"
(A)

SECTION D-D



HEIGHT	A
3'	28 3/4"
3 1/2'	34 3/4"
4'	40 3/4"
4 1/2'	46 3/4"
5'	52 3/4"
6'	64 3/4"

3D CAD MASTER PART NAME:

ALL DIMENSIONS IN INCHES

		ULTRA ALUMINUM MANUFACTURING, INC. 2124 GRAND COMMERCE DR. HOWELL, MI 48855 PHONE (800) 656-4420 FAX (800) 646-7429	
FIRST ISSUED		TITLE	
DRAWN BY		UAF-251 FLAT TOP FLUSH BOTTOM WITH SPEAR COMMERCIAL	
CHECKED BY		SIZE	DRG NO.
APPROVED BY		C	UAF-251 FLAT TOP FLUSH BOTTOM COMMERCIAL WITH SPEAR 6X6
		SCALE 1:1	REV <input checked="" type="checkbox"/>
			SHEET 1 OF 1