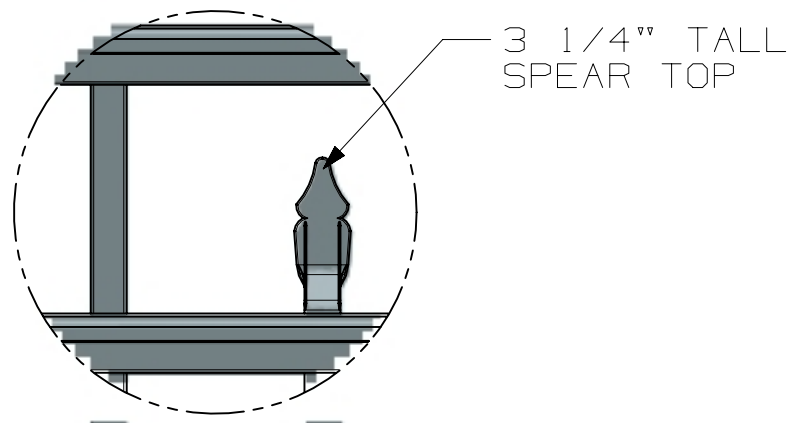
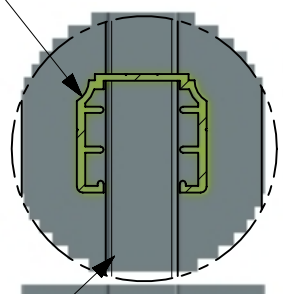


DETAIL B
SCALE 1:2



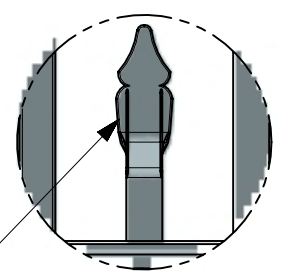
DETAIL A
SCALE 1:4

1.375X1.25
COMMERCIAL RAIL



DETAIL C
SCALE 1:2

3/4" X 3/4" X .055 WALL
COMMERCIAL PICKET



DETAIL E
SCALE 1:4

16" COMMERCIAL
SHORT SPEAR TOP PICKET

HEIGHT	A
3'	18 1/2"
3 1/2'	24 1/2"
4'	30 1/2"
4 1/2'	36 1/2"
5'	42 1/2"
6'	54 1/2"

POST OPTIONS
 2" X 2" X .080" WALL
 2" X 2" X .125" WALL
 2 1/2" X 2 1/2" X .100" WALL
 3" X 3" X .125" WALL

SECTION D-D

72.000
OVERALL
HEIGHT

54.5"
(A)

6.000

6.000

5.500

1.4375 NOMINAL

73.000
CENTER TO CENTER
AS SHOWN WITH
2 1/2" X 2 1/2" POST

3 5/8" NOMINAL

16.000

2.000

FINISHED GRADE

73.000



ULTRA ALUMINUM MANUFACTURING, INC.
 2124 GRAND COMMERCE DR. HOWELL, MI 48855
 PHONE (800) 656-4420 FAX (800) 646-7429

FIRST ISSUED
 DRAWN BY
 CHECKED BY
 APPROVED BY

TITLE
 UAF-250 FLAT TOP STD BOTTOM
 WITH SPEAR
 AND SHORT SPEAR PICKETS
 COMMERCIAL

SIZE DRG NO. REV
 C UAF-250 FLAT TOP STD BOTTOM COMMERCIAL WITH SPEAR AND SHORT SPEAR 6X6

SCALE 1:1 SHEET 1 OF 1

3D CAD MASTER PART NAME:

ALL DIMENSIONS IN INCHES