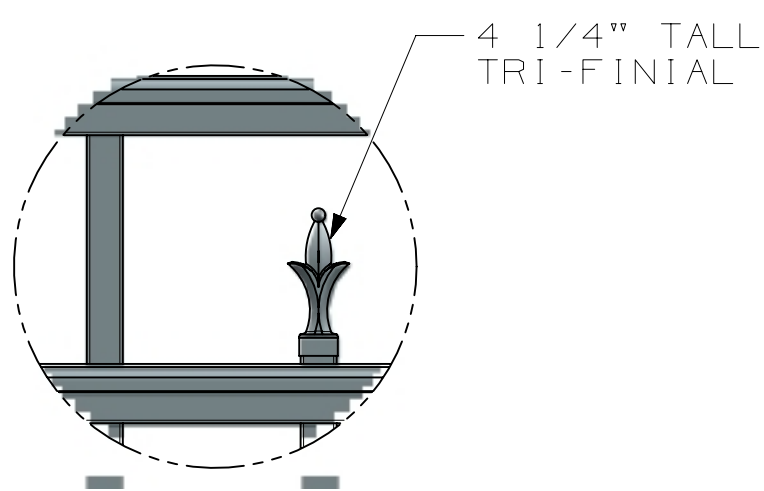
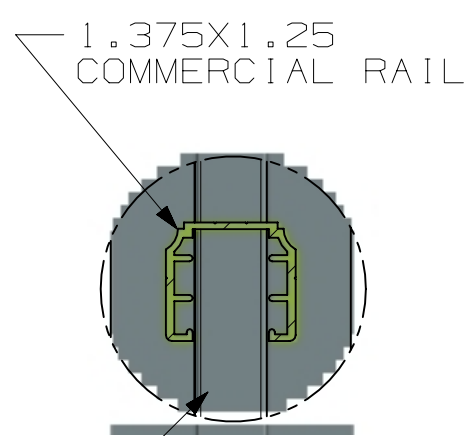


DETAIL B  
SCALE 1:2

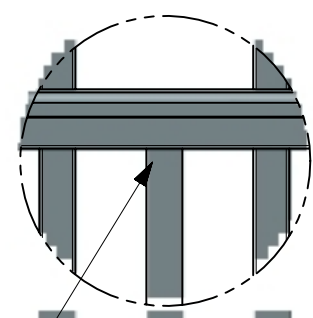


DETAIL A  
SCALE 1:4



DETAIL C  
SCALE 1:2

3/4" X 3/4" X .055 WALL  
COMMERCIAL PICKET



DETAIL E  
SCALE 1:4

- POST OPTIONS
- 2" X 2" X .080" WALL
  - 2" X 2" X .125" WALL
  - 2 1/2" X 2 1/2" X .100" WALL
  - 3" X 3" X .125" WALL

HEIGHT	A
3'	14"
3 1/2'	20"
4'	26"
4 1/2'	32"
5'	38"
6'	50"

3D CAD MASTER PART NAME:

SECTION D-D

72.000  
OVERALL  
HEIGHT

6.000

50"  
(A)

16.000

1.4375 NOMINAL

FINISHED GRADE

2.000

73.000

CENTER TO CENTER  
AS SHOWN WITH  
2 1/2" X 2 1/2" POST

3 5/8" NOMINAL



ULTRA ALUMINUM MANUFACTURING, INC.  
2124 GRAND COMMERCE DR. HOWELL, MI 48855  
PHONE (800) 656-4420 FAX (800) 646-7429

FIRST ISSUED  
DRAWN BY  
CHECKED BY  
APPROVED BY

TITLE  
UAF-250 FLAT TOP FLUSH BOTTOM  
WITH TRI-FINIALS  
AND FLAT TOP SHORT PICKET  
COMMERCIAL

SIZE DRG NO. REV  
UAF-250 FLAT TOP FLUSH BOTTOM COMMERCIAL WITH TRI-FINIALS AND FLAT TOP SHORT PICKET 6/6/16  
SCALE 1:1 SHEET 1 OF 1

ALL DIMENSIONS IN INCHES