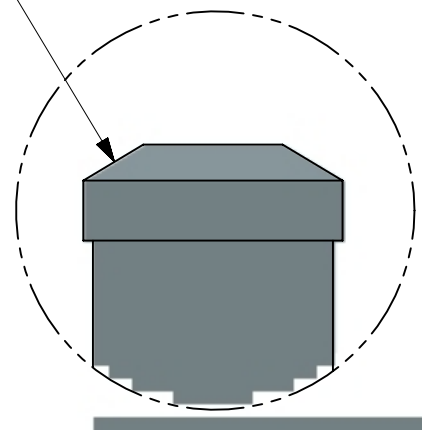
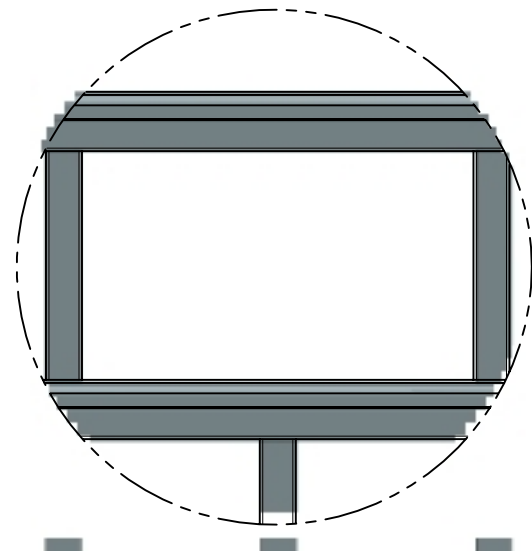


POST CAPS

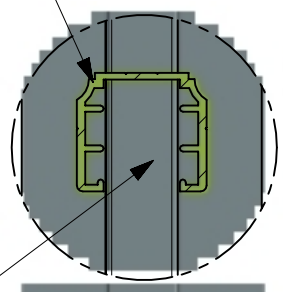


DETAIL B
SCALE 1:2



DETAIL A
SCALE 1:4

1.375X1.25
COMMERCIAL RAIL



3/4" X 3/4" X .055 WALL
COMMERCIAL PICKET

DETAIL C
SCALE 1:2

SECTION D-D

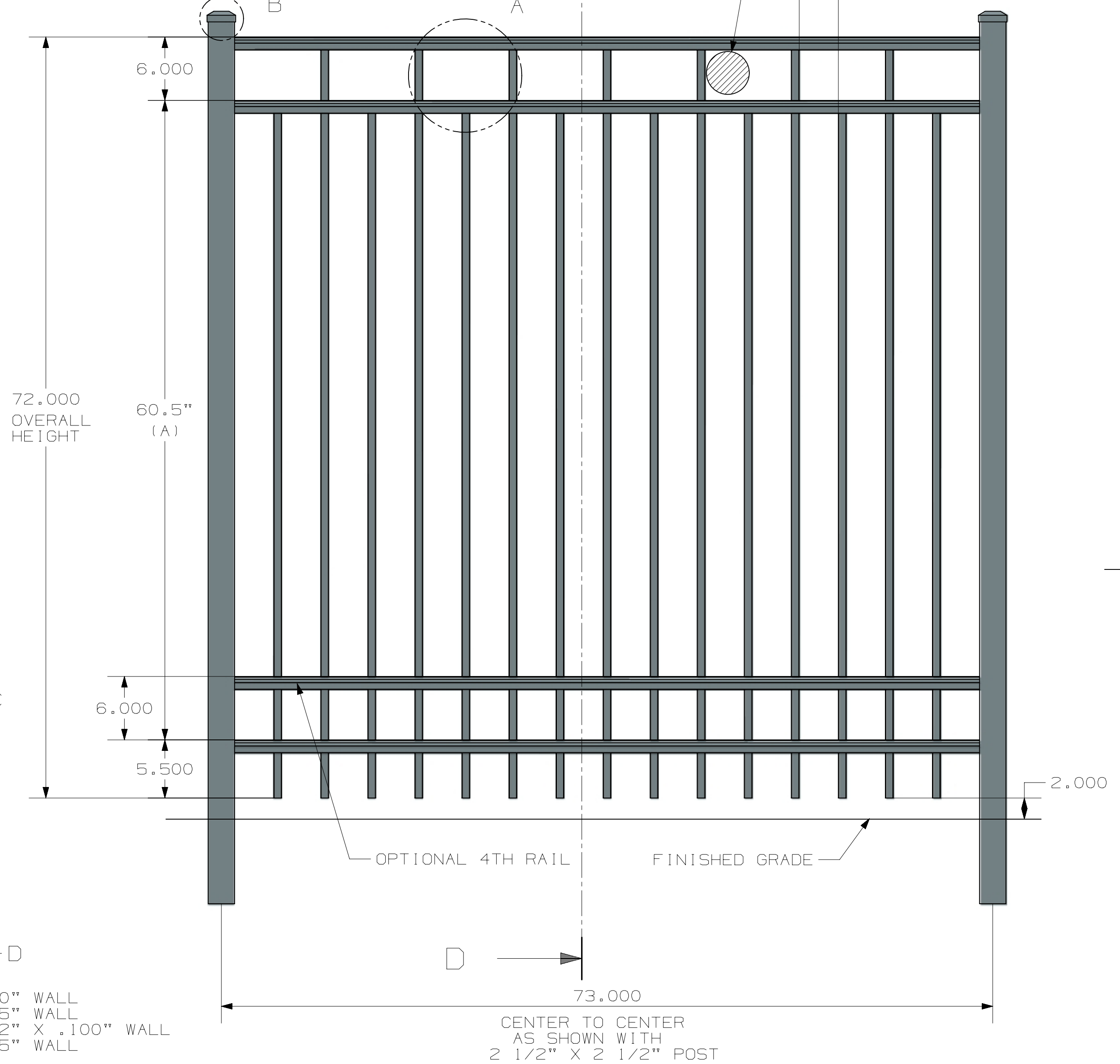
- POST OPTIONS
- 2" X 2" X .080" WALL
 - 2" X 2" X .125" WALL
 - 2 1/2" X 2 1/2" X .100" WALL
 - 3" X 3" X .125" WALL

HEIGHT	A
3'	24 1/2"
3 1/2'	30 1/2"
4'	36 1/2"
4 1/2'	42 1/2"
5'	48 1/2"
6'	60 1/2"

3D CAD MASTER PART NAME:

MAY NOT PASS 4" SPHERE RULE
CHECK LOCAL CODE

3 5/8" NOMINAL



73.000
CENTER TO CENTER
AS SHOWN WITH
2 1/2" X 2 1/2" POST



ULTRA ALUMINUM MANUFACTURING, INC.
2124 GRAND COMMERCE DR. HOWELL, MI 48855
PHONE (800) 656-4420 FAX (800) 646-7429

FIRST ISSUED
DRAWN BY
CHECKED BY
APPROVED BY

TITLE
UAF-220 FLAT TOP STD BOTTOM
NO SPEAR
COMMERCIAL

SCALE 1:1

SIZE/DRG NO.
C UAF-220 FLAT TOP STD BOTTOM COMMERCIAL NO SPEAR 6X6
REV
SHEET 1 OF 1

ALL DIMENSIONS IN INCHES