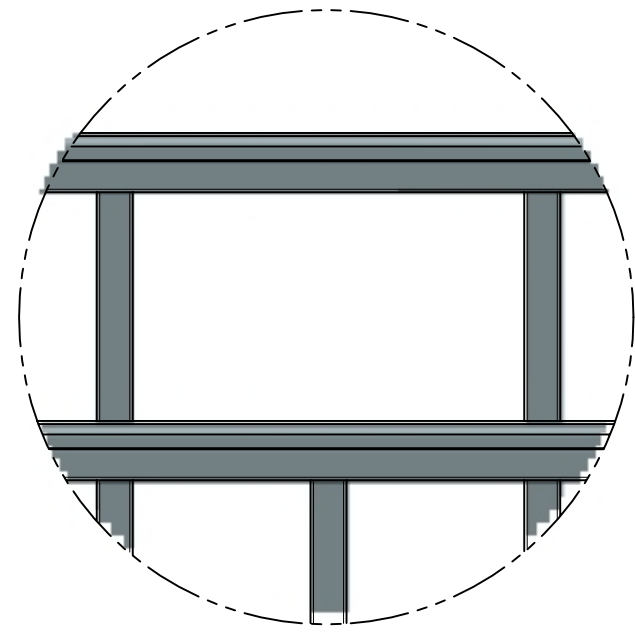
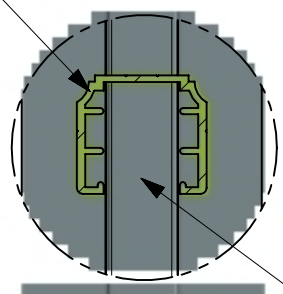


DETAIL B  
SCALE 1:2



DETAIL A  
SCALE 1:4

1.375X1.25  
COMMERCIAL RAIL



3/4" X 3/4" X .055 WALL  
COMMERCIAL PICKET

DETAIL C  
SCALE 1:2

SECTION D-D

POST OPTIONS  
 2" X 2" X .080" WALL  
 2" X 2" X .125" WALL  
 2 1/2" X 2 1/2" X .100" WALL  
 3" X 3" X .125" WALL

HEIGHT	A
3'	28 3/4"
3 1/2'	34 3/4"
4'	40 3/4"
4 1/2'	46 3/4"
5'	52 3/4"
6'	64 3/4"

3D CAD MASTER PART NAME:

72.000  
OVERALL  
HEIGHT

64.75"  
(A)

6.000

6.000

CENTER TO CENTER  
AS SHOWN WITH  
2 1/2" X 2 1/2" POST

73.000

MAY NOT PASS 4" SPHERE RULE  
CHECK LOCAL CODE

3 5/8" NOMINAL

OPTIONAL 4TH RAIL

FINISHED GRADE

2.000

ALL DIMENSIONS IN INCHES



ULTRA ALUMINUM MANUFACTURING, INC.  
2124 GRAND COMMERCE DR. HOWELL, MI 48855  
PHONE (800) 656-4420 FAX (800) 646-7429

FIRST ISSUED

TITLE

DRAWN BY

UAF-220 FLAT TOP FLUSH BOTTOM  
NO SPEAR  
COMMERCIAL

CHECKED BY

APPROVED BY

SIZE DRG NO.

C UAF-220 FLAT TOP FLUSH BOTTOM COMMERCIAL NO SPEAR 6X6

REV

SCALE 1:1

SHEET 1 OF 1