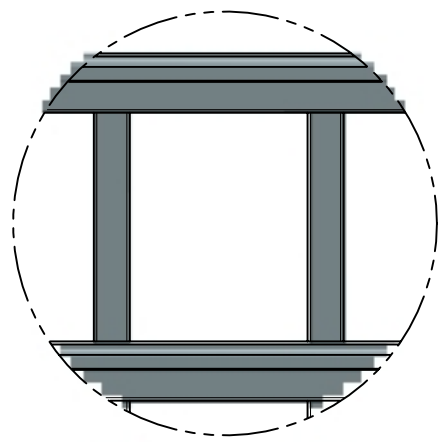
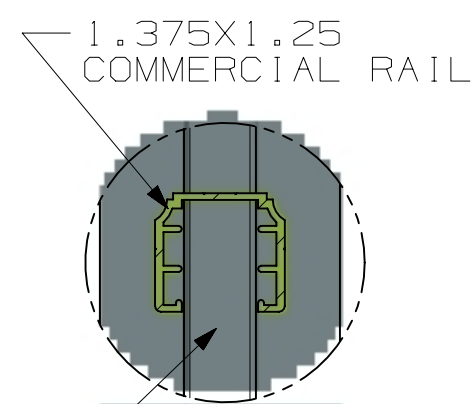


DETAIL B
SCALE 1:2



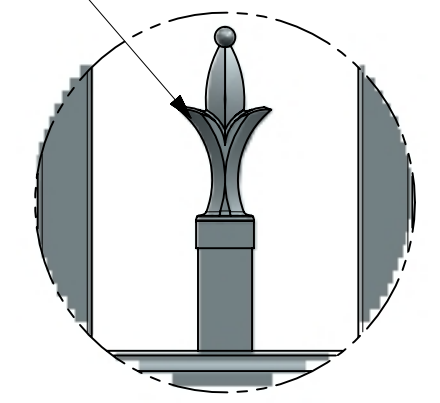
DETAIL D
SCALE 1:4



DETAIL C
SCALE 1:2

3/4" X 3/4" X .055 WALL
COMMERCIAL PICKET

16" COMMERCIAL
SHORT TRI-FINIAL PICKET



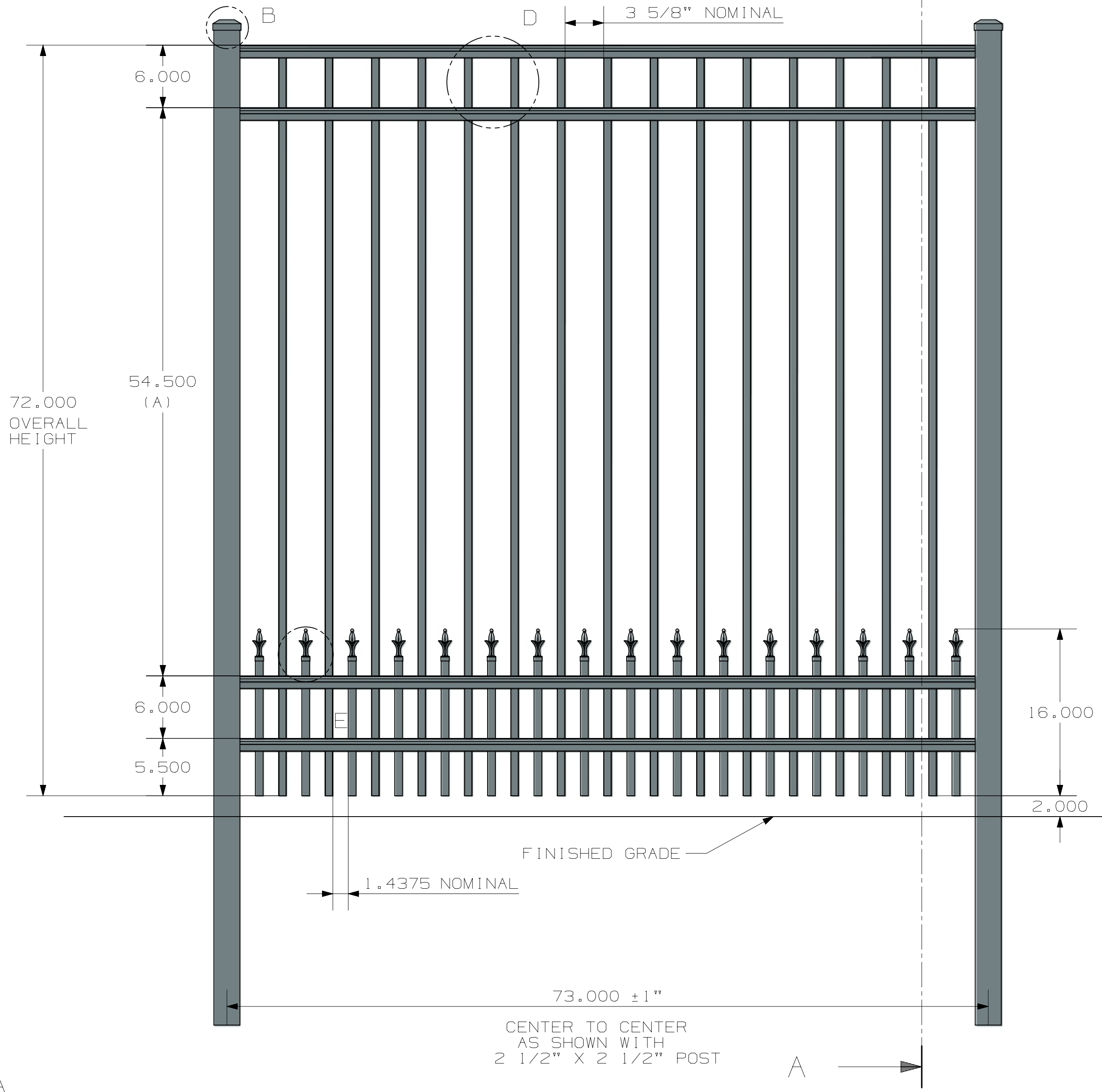
DETAIL E
SCALE 3:8

SECTION A-A

- POST OPTIONS
- 2" X 2" X .080" WALL
 - 2" X 2" X .125" WALL
 - 2 1/2" X 2 1/2" X .100" WALL
 - 3" X 3" X .125" WALL

HEIGHT	A
3'	18 1/2"
3 1/2'	24 1/2"
4'	30 1/2"
4 1/2'	36 1/2"
5'	42 1/2"
6'	54 1/2"

3D CAD MASTER PART NAME:



73.000 ± 1"
CENTER TO CENTER
AS SHOWN WITH
2 1/2" X 2 1/2" POST

FINISHED GRADE

1.4375 NOMINAL

72.000
OVERALL
HEIGHT

6.000

6.000

5.500

16.000

2.000

3 5/8" NOMINAL



ULTRA ALUMINUM MANUFACTURING, INC.
2124 GRAND COMMERCE DR. HOWELL, MI 48855
PHONE (800) 656-4420 FAX (800) 646-7429

FIRST ISSUED
DRAWN BY
CHECKED BY
APPROVED BY

TITLE
UAF-200 FLAT TOP STD BOTTOM
16" SHORT TRI-FINIAL PICKET
COMMERCIAL

SCALE 1:1

SHEET 1 OF 1

ALL DIMENSIONS IN INCHES