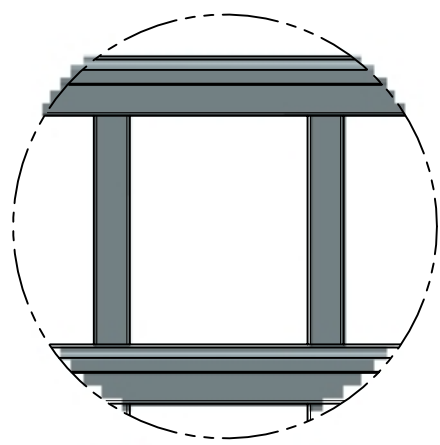
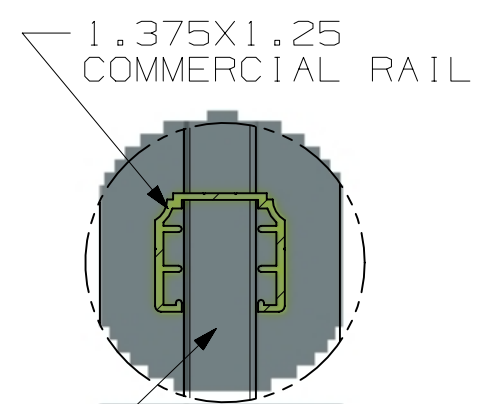


DETAIL B
SCALE 1:2

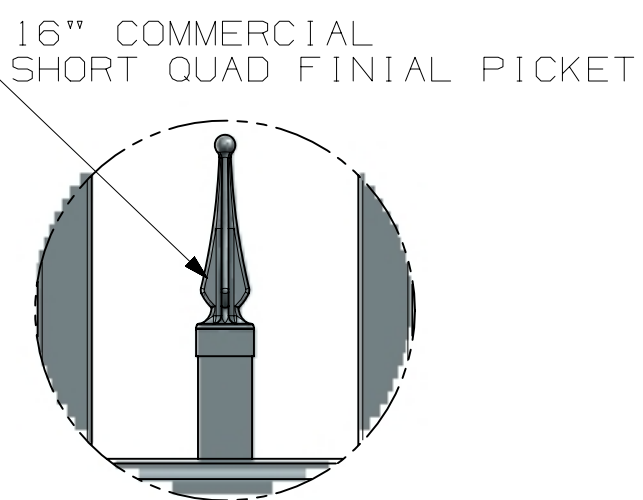


DETAIL D
SCALE 1:4



DETAIL C
SCALE 1:2

3/4" X 3/4" X .055 WALL
COMMERCIAL PICKET



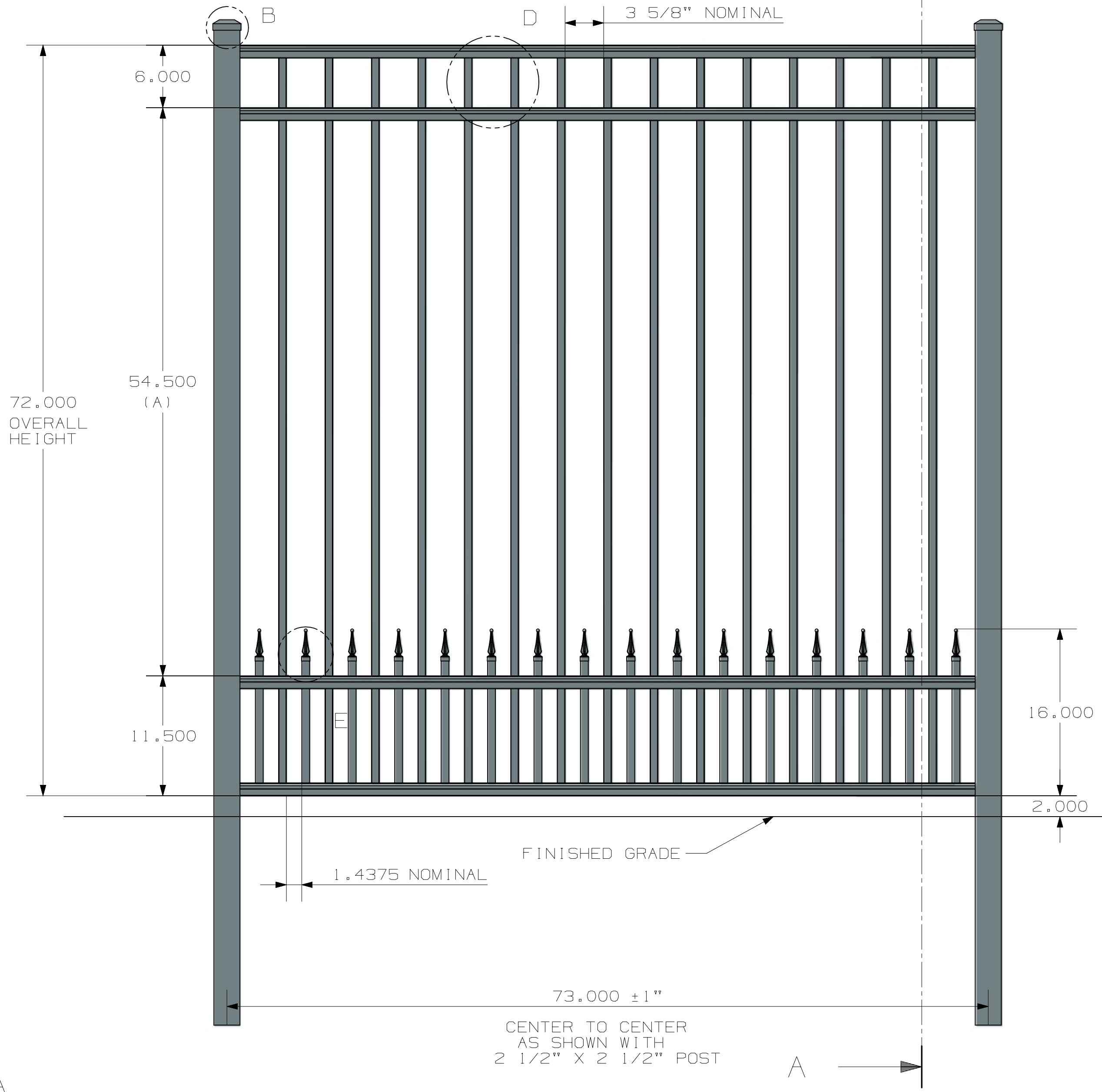
DETAIL E
SCALE 3:8

SECTION A-A

POST OPTIONS
 2" X 2" X .080" WALL
 2" X 2" X .125" WALL
 2 1/2" X 2 1/2" X .100" WALL
 3" X 3" X .125" WALL

HEIGHT	A
3'	18 1/2"
3 1/2'	24 1/2"
4'	30 1/2"
4 1/2'	36 1/2"
5'	42 1/2"
6'	54 1/2"

3D CAD MASTER PART NAME:



73.000 ± 1"
 CENTER TO CENTER
 AS SHOWN WITH
 2 1/2" X 2 1/2" POST



ULTRA ALUMINUM MANUFACTURING, INC.
 2124 GRAND COMMERCE DR. HOWELL, MI 48855
 PHONE (800) 656-4420 FAX (800) 646-7429

FIRST ISSUED	
DRAWN BY	
CHECKED BY	
APPROVED BY	

TITLE	UAF-200 FLAT TOP FLUSH BOTTOM 16" SHORT QUAD FINIAL PICKET COMMERCIAL
SIZE	DRG NO.
C	UAF-200 FLAT TOP FLUSH BOTTOM SHORT QUAD FINIAL COMMERCIAL 6X6
SCALE 1:1	REV
	SHEET 1 OF 1

ALL DIMENSIONS IN INCHES