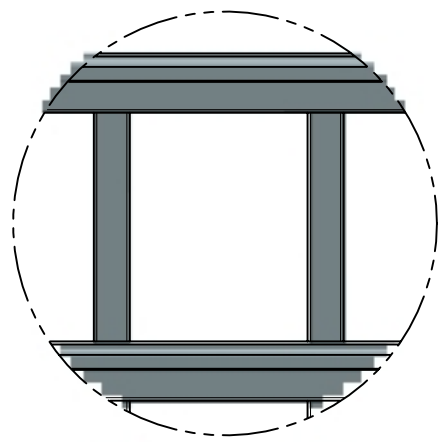
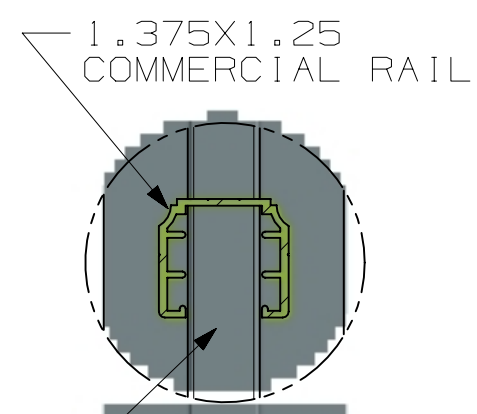


DETAIL B
SCALE 1:2

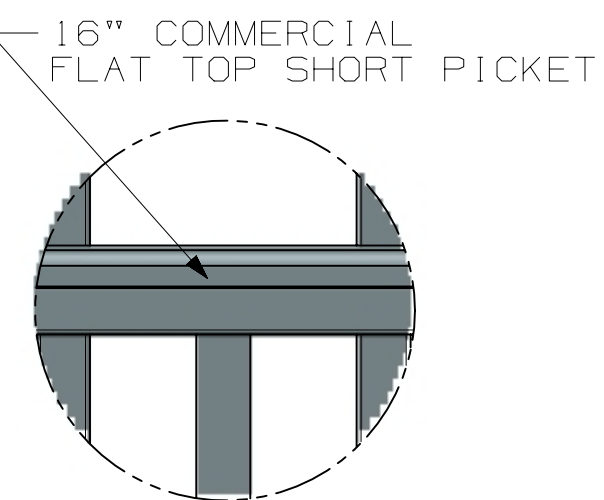


DETAIL D
SCALE 1:4



DETAIL C
SCALE 1:2

3/4" X 3/4" X .055 WALL
COMMERCIAL PICKET



DETAIL E
SCALE 3:8

SECTION A-A

POST OPTIONS
 2" X 2" X .080" WALL
 2" X 2" X .125" WALL
 2 1/2" X 2 1/2" X .100" WALL
 3" X 3" X .125" WALL

HEIGHT	A
3'	14"
3 1/2'	20"
4'	26"
4 1/2'	32"
5'	38"
6'	50"

3D CAD MASTER PART NAME:

72.000
OVERALL
HEIGHT

50.000
(A)

16.000

6.000

3 5/8" NOMINAL

1.4375 NOMINAL

FINISHED GRADE

73.000 ± 1"

CENTER TO CENTER
AS SHOWN WITH
2 1/2" X 2 1/2" POST

2.000

ALL DIMENSIONS IN INCHES



ULTRA ALUMINUM MANUFACTURING, INC.
2124 GRAND COMMERCE DR. HOWELL, MI 48855
PHONE (800) 656-4420 FAX (800) 646-7429

FIRST ISSUED

TITLE

DRAWN BY

UAF-200 FLAT TOP FLUSH BOTTOM
FLAT TOP SHORT PICKET
COMMERCIAL

CHECKED BY

APPROVED BY

SIZE DRG NO.

C UAF-200 FLAT TOP FLUSH BOTTOM FLAT TOP SHORT PICKET COMMERCIAL 6/16

SCALE 1:1

SHEET 1 OF 1