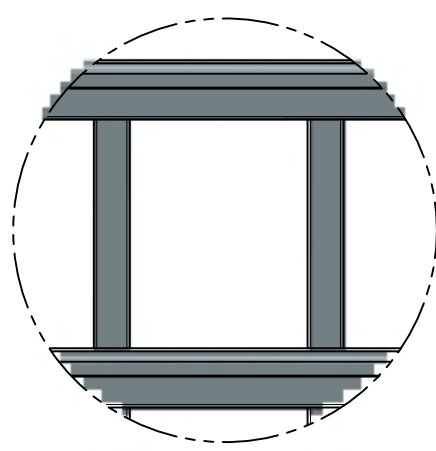
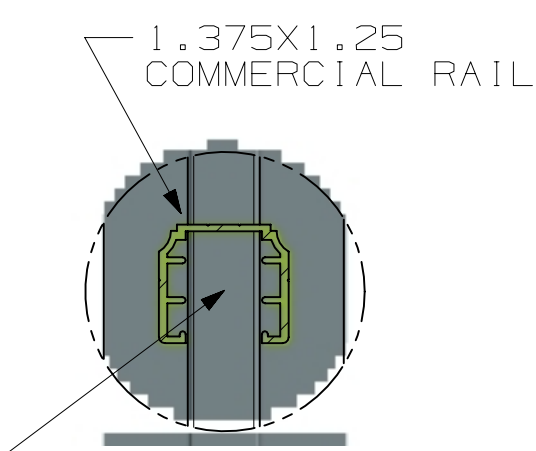


DETAIL B
SCALE 1:2



DETAIL D
SCALE 1:4



DETAIL C
SCALE 1:2

3/4" X 3/4" X .055 WALL
COMMERCIAL PICKET

1.375 X 1.25
COMMERCIAL RAIL

SECTION A - A

- POST OPTIONS
- 2" X 2" X .080" WALL
 - 2" X 2" X .125" WALL
 - 2 1/2" X 2 1/2" X .100" WALL
 - 3" X 3" X .125" WALL

72.000
OVERALL
HEIGHT

64.750
(A)

6.000

3 5/8" NOMINAL

2.000

73.000 ± 1"

CENTER TO CENTER
AS SHOWN WITH
2 1/2" X 2 1/2" POST

FINISHED GRADE

OPTIONAL 4TH RAIL

HEIGHT	A
3'	28 3/4"
3 1/2'	34 3/4"
4'	40 3/4"
4 1/2'	46 3/4"
5'	52 3/4"
6'	64 3/4"

3D CAD MASTER PART NAME:

ALL DIMENSIONS IN INCHES



ULTRA ALUMINUM MANUFACTURING, INC.
2124 GRAND COMMERCE DR. HOWELL, MI 48855
PHONE (800) 656-4420 FAX (800) 646-7429

FIRST ISSUED
DRAWN BY
CHECKED BY
APPROVED BY

TITLE
UAF-200 FLAT TOP FLUSH BOTTOM
COMMERCIAL

SIZE DRG NO.
C UAF-200 FLAT TOP FLUSH BOTTOM COMMERCIAL 6X6

REV

SCALE 1:1

SHEET 1 OF 1