



A SELECT ONE:
 ORDER QUOTE
 DATE: _____
 TO SHIP WITH OTHER ORDER(S) AND SAVE ON FREIGHT, CHECK BOX AT RIGHT (MAY DELAY SHIPMENT)

B JOB NAME: _____
 PO #: _____

C BILLING ADDRESS
 CUSTOMER NAME/ACCT. NO. _____
 ADDRESS _____
 CITY, STATE, ZIP _____
 CONTACT: _____
 TEL: _____ FAX: _____
 EMAIL: _____

D SHIPPING ADDRESS
 (If Different)
 NAME _____
 ADDRESS _____
 CITY, STATE, ZIP _____

E ADD ON?
 IF THIS ORDER IS INTENDED TO MATCH MATERIAL FROM A PREVIOUS ORDER, PLEASE PROVIDE PREVIOUS ULTRA INVOICE NUMBER: _____

1 RAILS / HEIGHTS

2-RAIL } 4'
 } 5'
 } 6'

3-RAIL } 6" (DOUBLE STACKED)

2 6' PRIVACY KITS

QTY	
	2-RAIL KIT: Aluminum Top Rail and Bottom Rail ONLY!
	3-RAIL KIT: Aluminum Top Rail, Mid and Bottom Rail ONLY!

NOTE: Vinyl T&G 6" Panels Must be Sourced Locally.

2-Rail Requires: 15 Pcs T&G Vinyl Panels.
 3-Rail Requires: 30 Pcs T&G Vinyl Panels.
 See Drawing for Standard Vinyl Required Sizes

93" MAX Length for Top, Mid & Bottom Rail,
 90" Between Post

3 COLORS

TEXTURED BLACK (TB)
 TEXTURED BRONZE (TZ)
 TEXTURED KHAKI (TK)
 TEXTURED WHITE (TW)

PREMIUM COLOR
 SILVER (SI) (upcharge)

PLEASE INCLUDE ANY RELEVANT DRAWINGS.

4A POSTS (All Posts are .125 Wall Thickness)	Check if FLANGED	SIZE	HEIGHT (See Below)	QUANTITY
Check One: <input type="checkbox"/> LINE <input type="checkbox"/> END <input type="checkbox"/> CORNER <input type="checkbox"/> BLANK	<input type="checkbox"/>	<input type="checkbox"/> 3" <input type="checkbox"/> 4"		
Check One: <input type="checkbox"/> LINE <input type="checkbox"/> END <input type="checkbox"/> CORNER <input type="checkbox"/> BLANK	<input type="checkbox"/>	<input type="checkbox"/> 3" <input type="checkbox"/> 4"		
Check One: <input type="checkbox"/> LINE <input type="checkbox"/> END <input type="checkbox"/> CORNER <input type="checkbox"/> BLANK	<input type="checkbox"/>	<input type="checkbox"/> 3" <input type="checkbox"/> 4"		
Check One: <input type="checkbox"/> LINE <input type="checkbox"/> END <input type="checkbox"/> CORNER <input type="checkbox"/> BLANK	<input type="checkbox"/>	<input type="checkbox"/> 3" <input type="checkbox"/> 4"		

Standard Post Heights: 84", 96" or 108". Flanged Post Heights: 51", 63" or 75".
 All Posts are Routed Except Blanks. Line, End and Corner Posts Include Caps and Screws (Blanks have Caps Only).
 Flanged Posts are .500" and Include Flange Cover Kit. Offset Flanged Posts are Available in All Sizes - Call for More Information.

4B STEEL POSTS (.125 Wall Thickness)	Check if FLANGED	SIZE	HEIGHT (See Below)	QUANTITY
	<input type="checkbox"/>	<input type="checkbox"/> 4" <input type="checkbox"/> 6"		

Steel Post Heights: 72", 84", 96" or 108". Flanged Steel Post Heights: 51", 63" or 75".
 Steel Posts are ASTM Grade A500. Flanged Posts are .500" and Include Flange Cover Kit.

5A GATES (All with 3" U-Frame Pre-Assembled and Welded)	HEIGHT (If Different than #2)	OPENING SIZE (See Below)	OTHER INFO.	QUANTITY
Check One: <input type="checkbox"/> SINGLE GATE <input type="checkbox"/> DOUBLE GATE				
Check One: <input type="checkbox"/> SINGLE GATE <input type="checkbox"/> DOUBLE GATE				
Check One: <input type="checkbox"/> SINGLE GATE <input type="checkbox"/> DOUBLE GATE				

Single Gate Openings: 38", 50", 62", 74", 86" or 96" Nom. (94.75").
 Double Gate Openings: 75-1/4", 99-1/4", 123-1/4", 147-1/4", 171-1/4" or 188-3/4".
 Custom Heights/Widths are Available with Limitations - Call Ultra.

5B HINGE OPTIONS (Sold Separately)		5B LATCH OPTIONS (Sold Separately)	
QTY		QTY	
	TRUCLOSE HEAVY DUTY (Pair)		LOKKLATCH DELUXE with EAK
	LOCINOX HINGE (Pair)		MAGNALATCH (Pool Code Approved)
	ULTRA WELDED HINGE (Pair)		LOKKLATCH MAGNETIC
	DOUBLE STACKED MID RAIL SUPPORT BRACKET (2-PK)		BASIC LOKKLATCH
			24" DROP ROD with Dual Guides

6 MISCELLANEOUS	QTY	ADDITIONAL ITEMS	QTY
PAINT, 12 OZ. SPRAY CAN (Color Same as #3)			
SCREWS, #8 X 2" HEX HEAD 410 (Color Same as #3)			
SCREWS, #8 X 1-1/2" HEX HEAD 410 (Color Same as #3)			
PANIC BAR			

7 SPECIAL INSTRUCTIONS

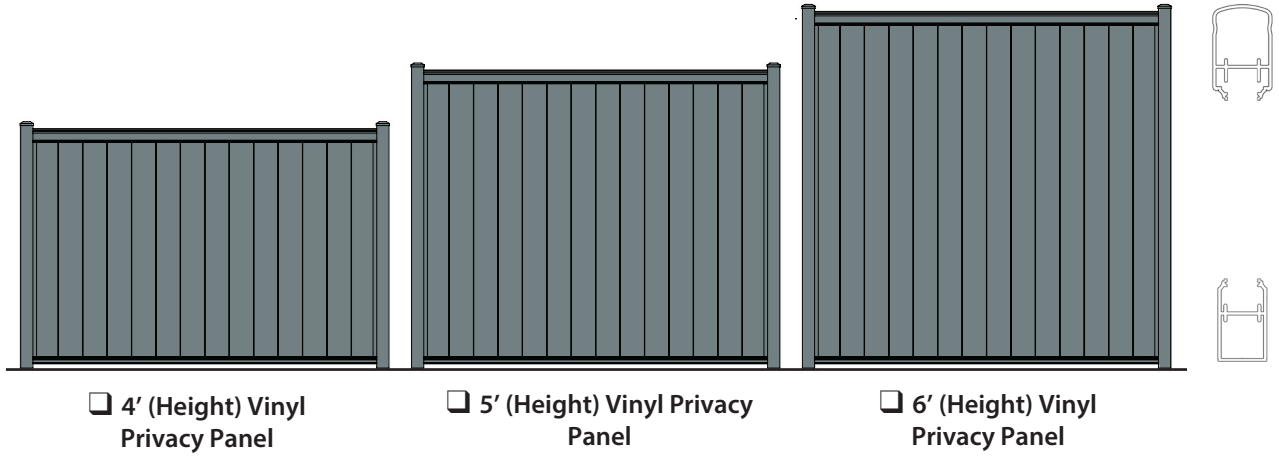
Print page 1 and fax us.
 Or, save page 1 and email us.



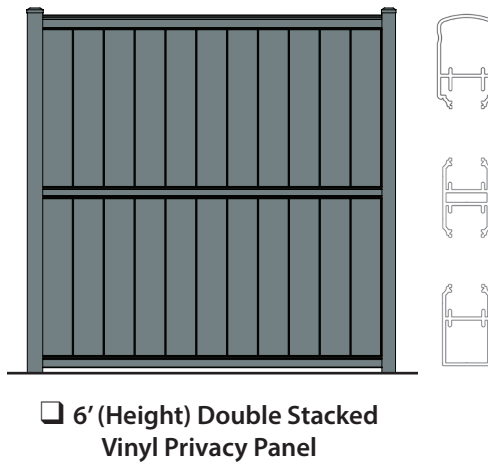
#1 RAILS/HEIGHT

Ultra's Aluminum Vinyl Privacy Fence is Available in Standard 2-Rail or Double Stacked 3-Rail.

2-RAIL:



3-RAIL:



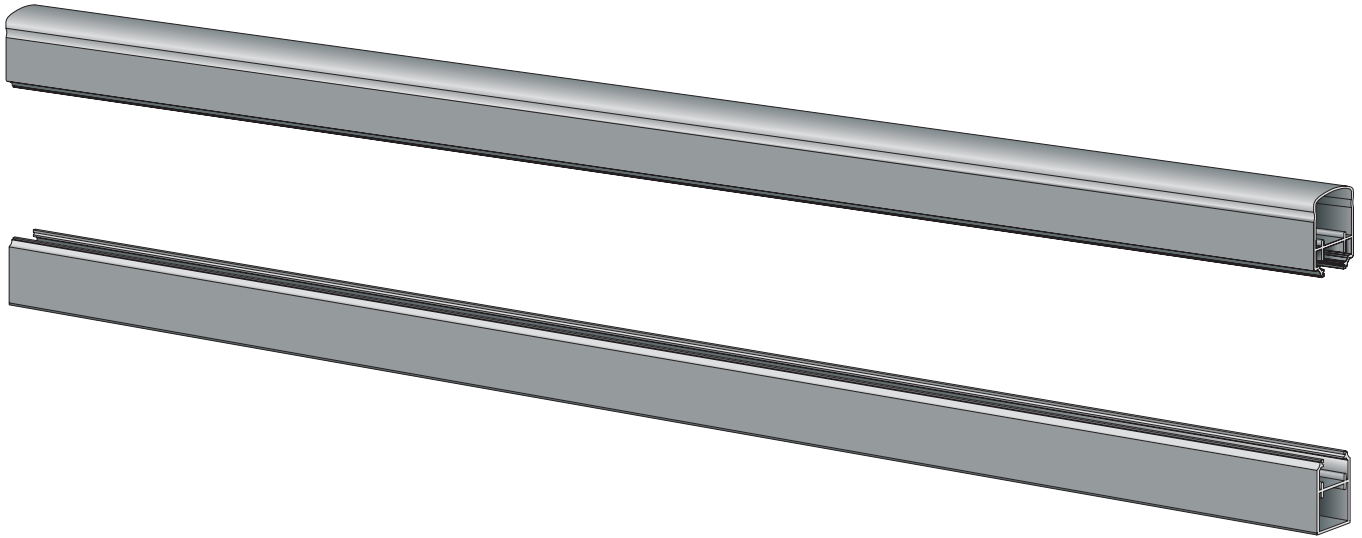
[BACK TO FORM](#)

#2 6' PRIVACY KITS

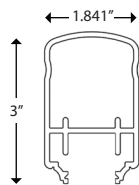
Product includes Aluminum Rails ONLY! Note: Vinyl T&G 6" Panels Sourced Locally.

2-Rail Requires: 15 Pieces of T&G Vinyl Panels and 2 Pieces of U-Channel.

93" MAX Length for Top, Mid & Bottom Rail and 90" Between Post

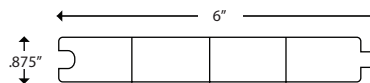


Top Rail

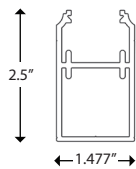
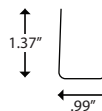


Products to be Sourced Locally:

15 Vinyl T&G Panels



Vinyl U-Channel (2)



Bottom Rail

UAE-VP2R Privacy Fence
(Aluminum Top & Bottom Rail)

[BACK TO FORM](#)

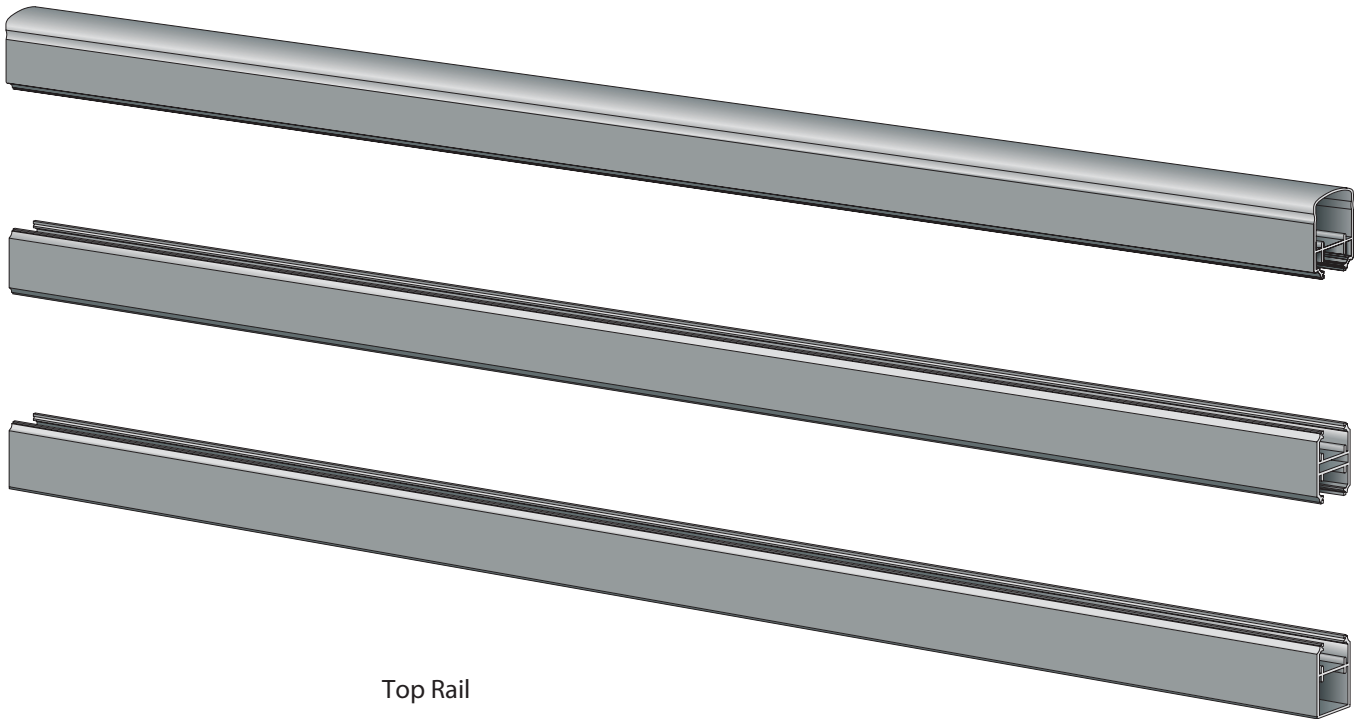


#2 6' PRIVACY KITS

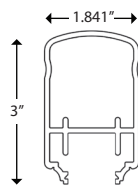
Product includes Aluminum Rails ONLY! Note: Vinyl T&G 6" Panels Sourced Locally.

3-Rail Requires: 30 Pieces of T&G Vinyl Panels and 4 Pieces of U-Channel.

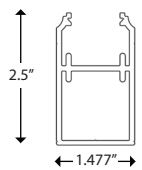
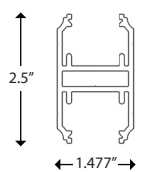
93" MAX Length for Top, Mid & Bottom Rail and 90" Between Post



Top Rail



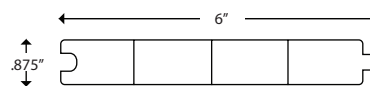
Mid Rail



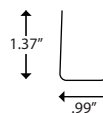
Bottom Rail

Products to be Sourced Locally:

30 Vinyl T&G Panels



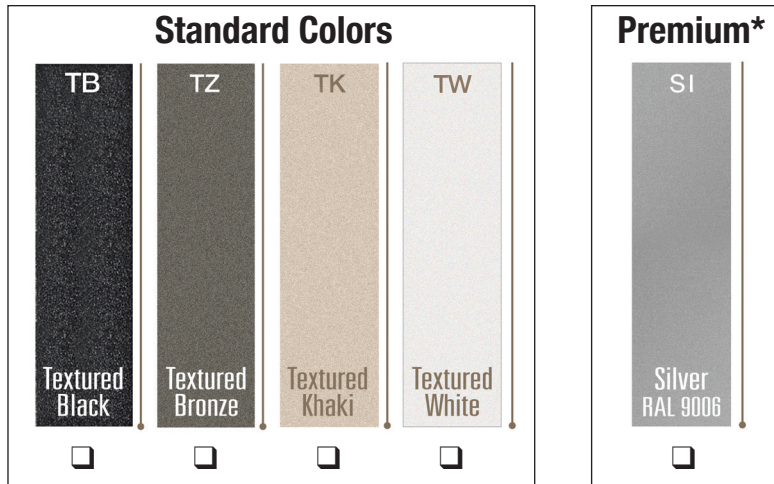
Vinyl U-Channel (4)



UAE-VP3R Privacy Fence
(Aluminum Top, Mid & Bottom Rail)

[BACK TO FORM](#)

#3 COLORS



Colors shown represent an approximate comparison and may vary slightly from actual product color.

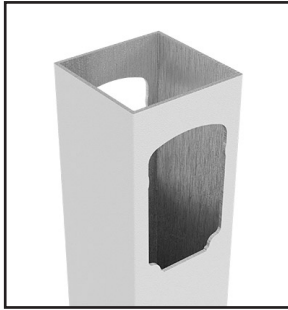
*(*Silver is available at an extra charge and will require additional lead times.*

Ask your Ultra Representative for details.)

[BACK TO FORM](#)

#4A POSTS

All Posts are .125 Wall Thickness and Available in 3" and 4"
Posts Include Caps and Screws (Blanks have Caps Only).



Line:

2-Rail routed (3-Rail routed for Double Stacked) on 2 opposite sides of the post



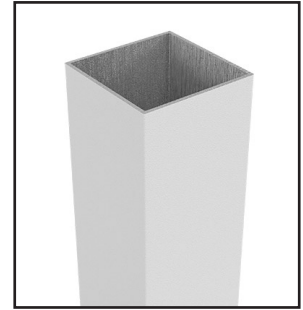
End:

2-Rail routed (3-Rail routed for Double Stacked) on 1 side of the post



Corner:

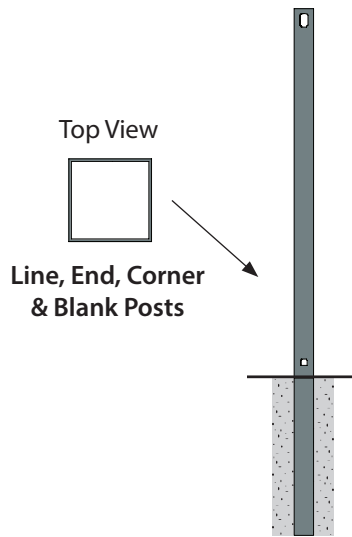
2-Rail routed (3-Rail routed for Double Stacked) on 2 adjacent sides of the post



Blank:

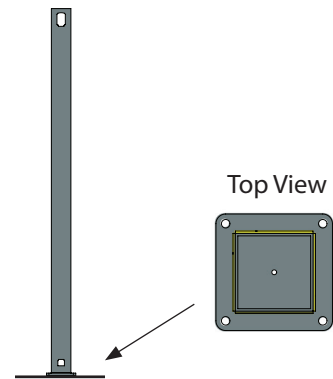
Used for angles and stairs. NO Routing.

STANDARD POST



Top View
Line, End, Corner
& Blank Posts

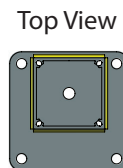
FLANGED POST



Top View

Flanged Posts are .500" and Include Flange Cover Kit.

OFFSET FLANGED POST



Top View

Offset Flanged Posts are Available in All Sizes - Call for More Information.



#4A POSTS: Includes Square Cap and Screws (Blanks with Cap Only)

AVAILABLE HEIGHTS:

Consider frost conditions when selecting length of posts.

STANDARD: 3" x 3" and 4" x 4"

Privacy Panel/Gate Height	Post Height	Post Thickness
4'	84" long	.125 Wall
5'	96" long	.125 Wall
6'	108" long	.125 Wall

FLANGED: 3" x 3" and 4" x 4"

Privacy Panel/Gate Height	Post Height	Post Thickness
4'	51" long	.125 Wall
5'	63" long	.125 Wall
6'	75" long	.125 Wall

[BACK TO FORM](#)

#4B STEEL POSTS

**ASTM Grade A500 Steel with Industry Leading Zinc Rich Prime Coat for Long Term Protection
Along with Ultra's Exclusive "Powercoat" Color Finish.
Standard Steel Posts Include Cap and Screws. Flanged Steel Posts Include Cap and Flange Cover.**

AVAILABLE HEIGHTS:

Consider frost conditions when selecting length of posts.

STANDARD: 4" x 4" and 6" x 6"

Privacy Panel/Gate Height	Post Height	Post Thickness
3'	72" long	.125 Wall
4'	84" long	.125 Wall
5'	96" long	.125 Wall
6'	108" long	.125 Wall

FLANGED: 4" x 4" and 6" x 6"

Privacy Panel/Gate Height	Post Height	Post Thickness
4'	51" long	.125 Wall
5'	63" long	.125 Wall
6'	75" long	.125 Wall

[BACK TO FORM](#)

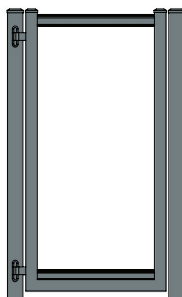
#5A GATES

**NOTE: Gate Height will match Box 2 Unless Noted. Vinyl T&G 6" Panels Sourced Locally.
All Gate Hardware Sold Separately.**

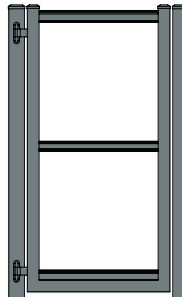
Gates are Pre-Assembled and Welded.

- Custom Widths and Heights are Available with Limitations.
- Call your Ultra Representative for More Details.

SINGLE GATES



Standard



Double Stacked

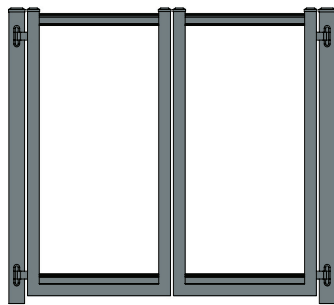
Single Gate Opening Size	Actual Gate Leaf Size U-Frame Width	Rail Length	# of 6" Vinyl Panels
38"	36-1/2"	36-1/4"	5
50"	48-1/2"	48-1/4"	7
62"	60-1/2"	60-1/4"	9
74"	72-1/2"	72-1/4"	11
86"	84-1/2"	84-1/4"	13
96"Nom. (94.75)	96-1/2"	96-1/4"	15

Disclaimer Note: Ultra will not sell any railing/fencing product for commercial use unless it has been tested by a third party licensed facility or calculated for performance and installation by a licensed engineer.

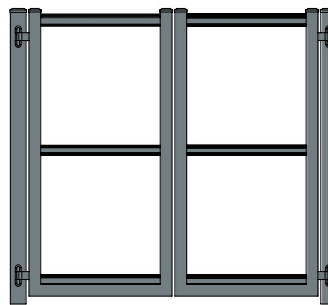


#5A GATES

DOUBLE GATES



Standard



Double Stacked

Double Gate Opening Size	Actual Gate Leaf Size U-Frame Width	Rail Length	# of 6" Vinyl Panels
75-1/4"	36-1/2"	36-1/4"	10
99-1/4"	48-1/2"	48-1/4"	14
123-1/4"	60-1/2"	60-1/4"	18
147-1/4"	72-1/2"	72-1/4"	22
171-1/4"	84-1/2"	84-1/4"	26
188-3/4"	93-1/4"	93"	30

Disclaimer Note: Ultra will not sell any railing/fencing product for commercial use unless it has been tested by a third party licensed facility or calculated for performance and installation by a licensed engineer.

[BACK TO FORM](#)

#5B GATES: HINGES & LATCHES

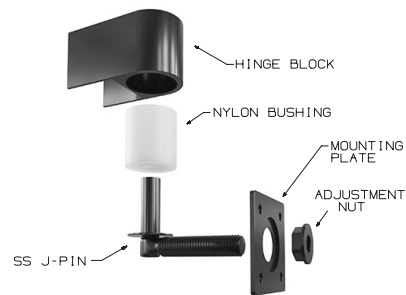
All Gate Hardware Sold Separately.



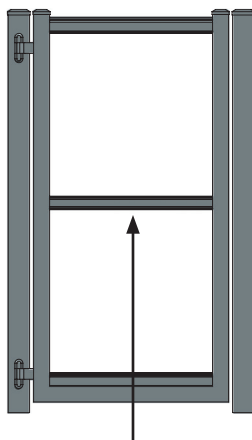
TruClose Heavy Duty
(Rated up to 150 lbs.)
(SOLD AS A PAIR)



180 Degree Stainless Steel Locinox Hinge w/Bracket - DEFAULT HINGE.
(SOLD AS A PAIR)



Ultra Welded Hinge
(SOLD AS A PAIR)



Double Stacked Mid Rail Support Bracket (2-Pk)

LATCH OPTIONS:



LokkLatch Deluxe with EAK



MagnaLatch
(Pool Code Approved)



Lokklatch Magnetic



Basic Lokklatch



Drop Rod with Guides

[BACK TO FORM](#)

#6 MISCELLANEOUS



Paint
(12 oz. Spray Can)



Screws: #8 x 2" Hex Head 410 or
#8 x 1-1/2" Hex Head 410
(Same Color as Box 3)



Panic Bar

[BACK TO FORM](#)