



EASY FENCE FORM v3.3

**LOUVERED PRIVACY FENCE**



This is an interactive pdf. Click green headers for links on more information.

1-800-656-4420 • FAX: 1-800-643-7429 • UltraPrivacyFence.com

**A** SELECT ONE:  
 ORDER  QUOTE  
 DATE: \_\_\_\_\_  
 TO SHIP WITH OTHER ORDER(S) AND SAVE ON FREIGHT, CHECK BOX AT RIGHT (MAY DELAY SHIPMENT)

**B** JOB NAME: \_\_\_\_\_  
 PO #: \_\_\_\_\_

**C** BILLING ADDRESS  
 CUSTOMER NAME/ACCT. NO. \_\_\_\_\_  
 ADDRESS \_\_\_\_\_  
 CITY, STATE, ZIP \_\_\_\_\_

CONTACT: \_\_\_\_\_  
 TEL: \_\_\_\_\_ FAX: \_\_\_\_\_  
 EMAIL: \_\_\_\_\_

**D** SHIPPING ADDRESS (If Different)  
 NAME \_\_\_\_\_  
 ADDRESS \_\_\_\_\_  
 CITY, STATE, ZIP \_\_\_\_\_

**E** ADD ON?  
 IF THIS ORDER IS INTENDED TO MATCH MATERIAL FROM A PREVIOUS ORDER, PLEASE PROVIDE PREVIOUS ULTRA INVOICE NUMBER: \_\_\_\_\_

**1** HEIGHT  
 2'  4'  7'  
 3'  5'  8'  
 3-1/2'  6'

**NOTE: One Side of Panel (Height or Width) Must be 84" or Less.**

**2A** PANEL WIDTHS (QTY)

12"	72"
48"	84" *
60"	96" *

\* Air Support Included on 84" and 96".  
 All Panels Include Screws.  
 Custom Widths are Available - Call Ultra.

**NOTE: One Side of Panel (Height or Width) Must be 84" or Less.**

**2B** CUSTOM SIZES (QTY)

QTY	Height in Inches x Width in Inches
	" H x " W
	" H x " W
	" H x " W

**PLEASE CALL YOUR ULTRA REP. AND INCLUDE ANY DRAWINGS.**

**3** COLORS

TEXTURED BLACK (TB)  
 TEXTURED BRONZE (TZ)  
 TEXTURED KHAKI (TK)  
 TEXTURED WHITE (TW)

**PREMIUM COLOR**

SILVER (SI) (upcharge)

PLEASE INCLUDE ANY RELEVANT DRAWINGS.

**4A** POSTS - BLANK ONLY (.125 Wall Thickness)

Check if FLANGED	SIZE	HEIGHT (See Below)	QTY
<input type="checkbox"/>	<input type="checkbox"/> 3" <input type="checkbox"/> 4"		

Standard Post Heights: 84", 96", 108", 120" or 132".  
 Flanged Post Heights: 51", 63" or 75".  
 Blank Posts have Caps Only.  
 Flanged Posts are .500" and Include Flange Cover Kit.  
 Offset Flanged Posts are Available - Call for More Information.

**4B** STEEL POSTS (.125 Wall Thickness)

Check if FLANGED	SIZE	HEIGHT (See Below)	QTY
<input type="checkbox"/>	<input type="checkbox"/> 4" <input type="checkbox"/> 6"		

Steel Post Heights: 84", 96", 108", 120" or 132".  
 Flanged Steel Post Heights: 51", 63" or 75".  
 Steel Posts are ASTM Grade A500.  
 Flanged Posts are .500" and Include Flange Cover Kit.

**5A GATES** (All with Reinforced U-Frame / Pre-Assembled and Welded)

Check One:	HEIGHT (If Different than #2)	OPENING SIZE (See Below)	OTHER INFO.	QTY
<input type="checkbox"/> SINGLE GATE <input type="checkbox"/> DOUBLE GATE				
<input type="checkbox"/> SINGLE GATE <input type="checkbox"/> DOUBLE GATE				
<input type="checkbox"/> SINGLE GATE <input type="checkbox"/> DOUBLE GATE				

Single Gate Openings: 36", 48", 60" or 72". Double Gate Openings: 71", 95", 119" or (143" - Must have Steel Posts).  
**NOTE: One Side of Gate (Height or Width) Must be 84" or Less.**  
 Custom Heights/Widths are Available with Limitations - Call Ultra.

**GATE SWING OPTION**

Check One:  LEFT SWING  RIGHT SWING

**5B HINGE OPTIONS (Sold Separately)**

QTY	
	TRUCLOSE HEAVY DUTY (Pair)
	LOCINOX HINGE (Pair) ** (Default)
	ULTRA WELDED HINGE (Pair)

**5C LATCH OPTIONS (Sold Separately)**

QTY		QTY	
	LOKKLATCH DELUXE with EAK		BASIC LOKKLATCH
	MAGNALATCH (Pool Code Approved)		24" DROP ROD with Dual Guides
	LOKKLATCH MAGNETIC		

\*\* Ultra Louvered Privacy Gate Uprights are Reinforced when Using Locinox Hinges.

**6** MISCELLANEOUS

QTY.	ADDITIONAL ITEMS	QTY.
	PAINT, 11 OZ. SPRAY CAN (Color Same as #3)	
	SCREWS, #8 X 2" HEX HEAD 410 (Color Same as #3)	
	SCREWS, #8 X 1-1/2" HEX HEAD 410 (Color Same as #3)	

**7** SPECIAL INSTRUCTIONS

Print page 1 and fax us.  
 Or, save page 1 and email us.



\_\_\_\_\_



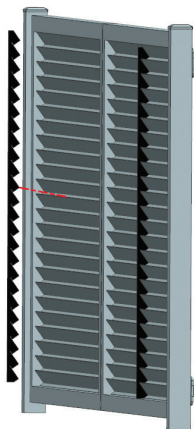
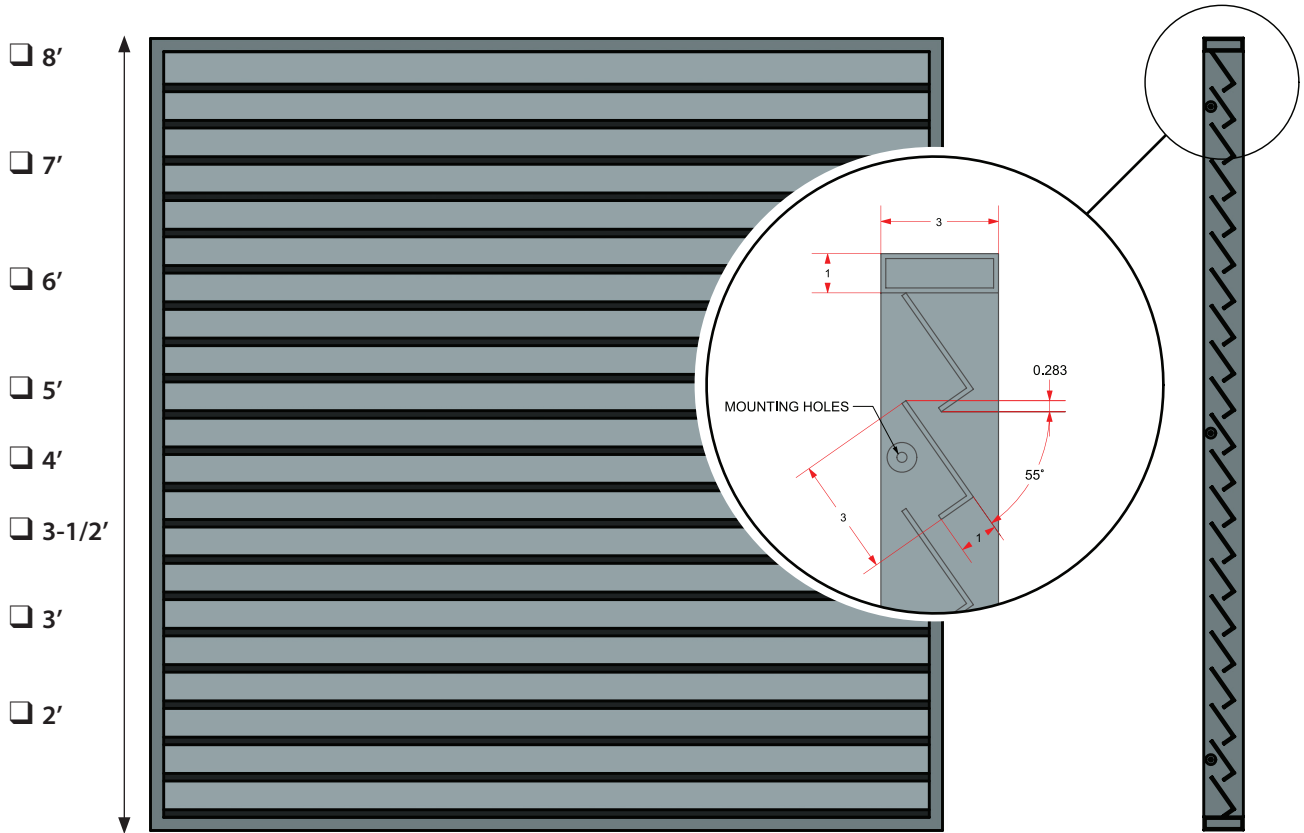
# #1 HEIGHT

**NOTE: One Side of Panel (Height or Width) Must be 84" or LESS.**

Consists of Aluminum, Welded Louvers Routed into a 1 x 3 Framed Panel.

Panels include #12 - 2" Hex Head Screws.

\*Air Support included on 7' and 8'.



\*Air Support for 84" and 96"

[BACK TO FORM](#)

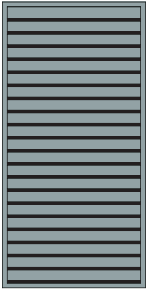
## #2A PANEL WIDTHS - QUANTITY

**NOTE: One Side of Panel (Height or Width) Must be 84" or LESS.**

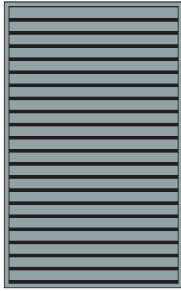
\* Air Support Included on 7' and 8'



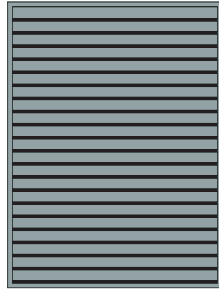
12"



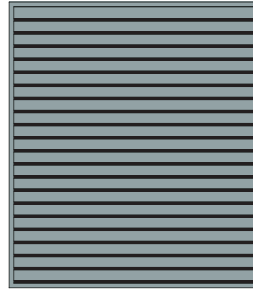
48"



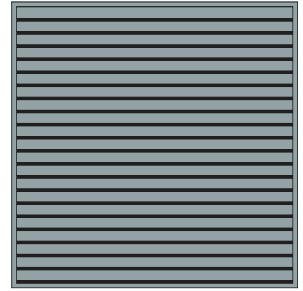
60"



72"



84"



96"

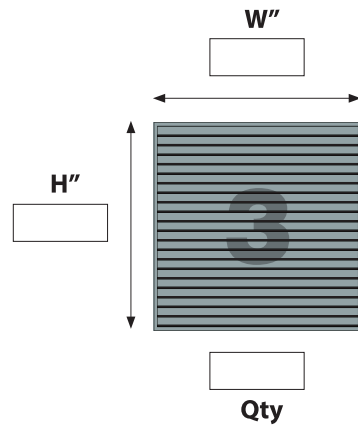
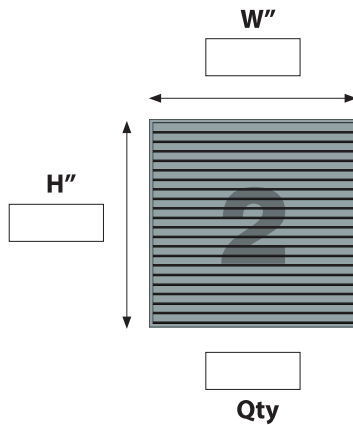
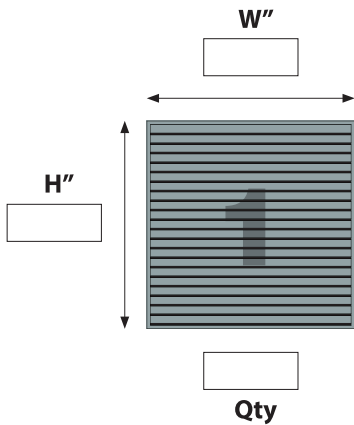
Please enter the quantity for each panel width.

[BACK TO FORM](#)

## #2B CUSTOM SIZE PANELS

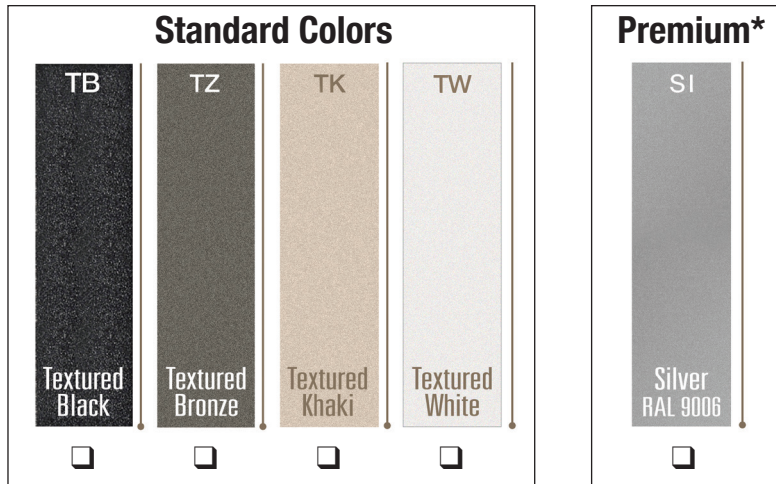
**Please Call your Ultra Rep and Include Any Drawings.**

One Side of Panel (Height or Width) Must be 84" or LESS.



[BACK TO FORM](#)

## #3 COLORS



Colors shown represent an approximate comparison and may vary slightly from actual product color.

*(\*Silver is available at an extra charge and will require additional lead times.*

*Ask your Ultra Representative for details.)*

[BACK TO FORM](#)

## #4A POSTS

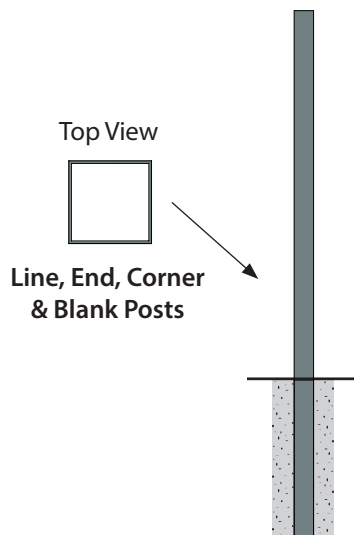
All Posts are .125 Wall Thickness and Available in 3" and 4"  
All Posts are Blank and Include Cap.



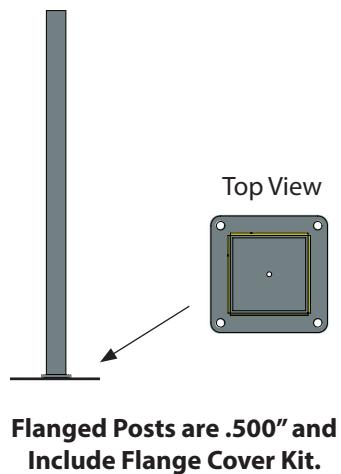
**Blank:**

Used for angles and stairs too. NO Routing.

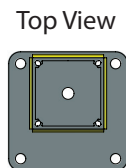
### STANDARD POST



### FLANGED POST



### OFFSET FLANGED POST



Offset Flanged Posts are Available in All Sizes - Call for More Information.



## #4A POSTS: Includes Cap Only

### AVAILABLE HEIGHTS:

*Consider frost conditions when selecting length of posts.*

#### STANDARD: 3" x 3" and 4" x 4"

Privacy Panel/Gate Height	Post Height	Post Thickness
7'	84" long	.125 Wall
8'	96" long	.125 Wall
9'	108" long	.125 Wall
10'	120" long	.125 Wall
11'	132" long	.125 Wall

#### FLANGED: 3" x 3" and 4" x 4"

Privacy Panel/Gate Height	Post Height	Post Thickness
7'	51" long	.125 Wall
8'	63" long	.125 Wall
9'	75" long	.125 Wall

[BACK TO FORM](#)

## #4B STEEL POSTS

**ASTM Grade A500 Steel with Industry Leading Zinc Rich Prime Coat for Long Term Protection  
Along with Ultra's Exclusive "Powercoat" Color Finish.  
Standard Steel Posts Include Cap and Screws. Flanged Steel Posts Include Cap and Flange Cover.**

### AVAILABLE HEIGHTS:

*Consider frost conditions when selecting length of posts.*

#### STANDARD: 4" x 4" and 6" x 6"

Privacy Panel/Gate Height	Post Height	Post Thickness
7'	84" long	.125 Wall
8'	96" long	.125 Wall
9'	108" long	.125 Wall
10'	120" long	.125 Wall
11'	132" long	.125 Wall

#### FLANGED: 4" x 4" and 6" x 6"

Privacy Panel/Gate Height	Post Height	Post Thickness
7'	51" long	.125 Wall
8'	63" long	.125 Wall
9'	75" long	.125 Wall

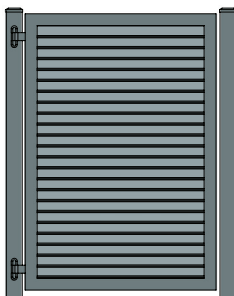
[BACK TO FORM](#)

## #5A GATES

**NOTE: Gate Height will match Box 2 Unless Noted.  
One Side of Gate (Height or Width) Must be 84" or Less.  
All Gate Hardware Sold Separately.**

- Gates are Pre-Assembled and Welded.
  - Crating Fees may Apply.
- Gate U-Frames have Reinforcement for Additional Strength.
  - Custom Heights/Widths are Available with Limitations.
- Custom Oversized Welded Panels and Gates will Require Freight Quote.
- Call your Ultra Representative for More Details.

### SINGLE GATES

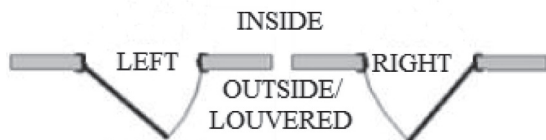


Single Gate Opening Size	Actual Gate Leaf Size U-Frame Width	Louver Length
36"	34-1/4"	36-1/4"
48"	46-1/4"	48-1/4"
60"	58-1/4"	60-1/4"
72"	70-1/4"	72-1/4"

**Disclaimer Note:** Ultra will not sell any railing/fencing product for commercial use unless it has been tested by a third party licensed facility or calculated for performance and installation by a licensed engineer.

**ULTRA ALUMINUM LOUVERED PRIVACY SINGLE GATES: Select Left Swing OR Right Swing**

**Note: All Louvered Privacy Post Uprights Contain a Factory Welded Reinforced Plate for Locinox Hinge Hardware.**



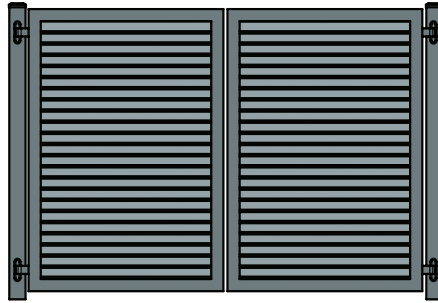
REINFORCED PLATE

[BACK TO FORM](#)



## #5A GATES

### DOUBLE GATES



Double Gate Opening Size	Actual Gate Leaf Size U-Frame Width	Louver Length
71"	34-1/4"	34"
95"	46-1/4"	46"
119"	58-1/4"	58"
143"**	70-1/4"	70"

**\*\*143" Must have Steel Posts**

**Disclaimer Note:** Ultra will not sell any railing/fencing product for commercial use unless it has been tested by a third party licensed facility or calculated for performance and installation by a licensed engineer.

[BACK TO FORM](#)



## #5B GATES: HINGES & LATCHES

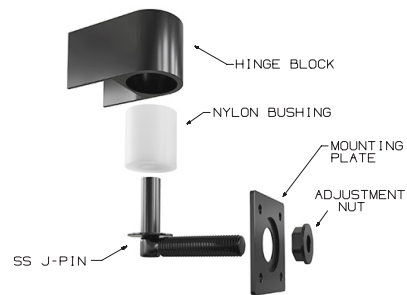
All Gate Hardware Sold Separately.



**TruClose Heavy Duty**  
(Rated up to 150 lbs.)  
(SOLD AS A PAIR)



**180 Degree Stainless Steel Locinox  
Hinge w/Bracket - DEFAULT HINGE.**  
(SOLD AS A PAIR)



**Ultra Welded Hinge**  
(SOLD AS A PAIR)

### LATCH OPTIONS:



**Lokklatch Deluxe  
with EAK**



**MagnaLatch**  
(Pool Code Approved)



**Lokklatch Magnetic**



**Basic Lokklatch**



**Drop Rod with Guides**

[BACK TO FORM](#)

## #6 MISCELLANEOUS



Paint  
(12 oz. Spray Can)



Screws: #8 x 2" Hex Head 410 or  
#8 x 1-1/2" Hex Head 410  
(Same Color as Box 3)



Panic Bar

[BACK TO FORM](#)