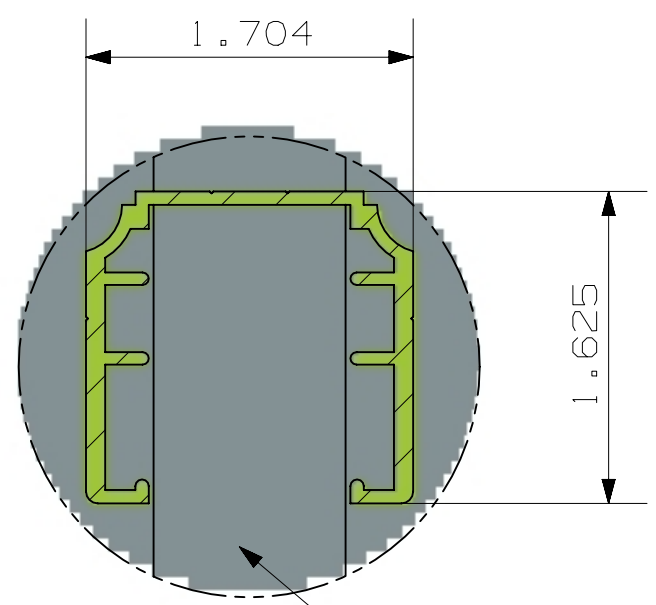
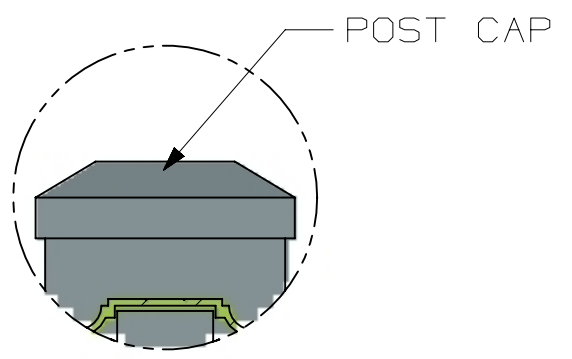
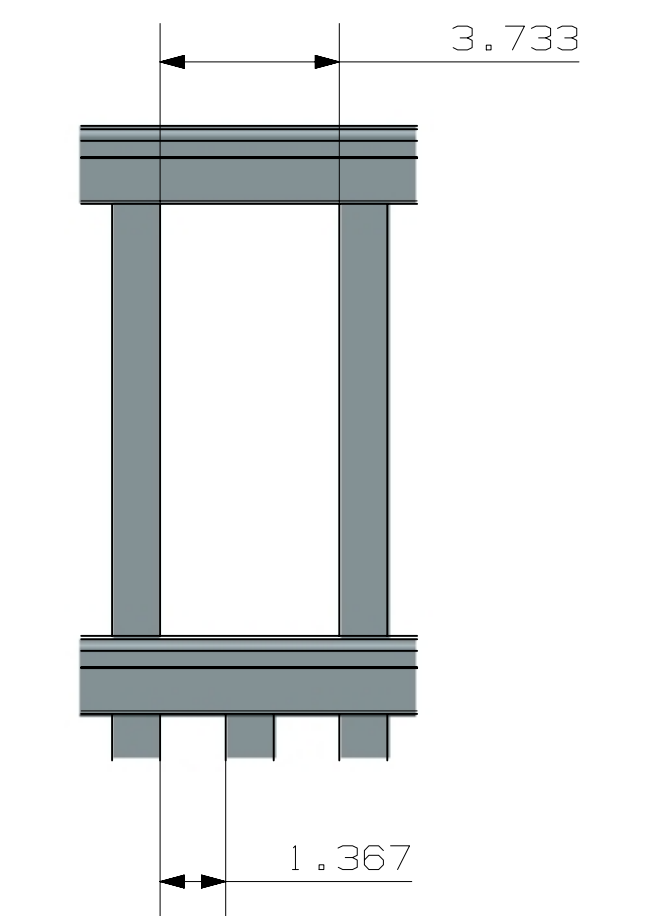


TOLERANCE	TAPE MEASURE ±1/16"	CALIPER ±.010"	DRAWING APPROVED	BOM ENTERED	ALLOY
OVERRIDDEN					COMMENTS

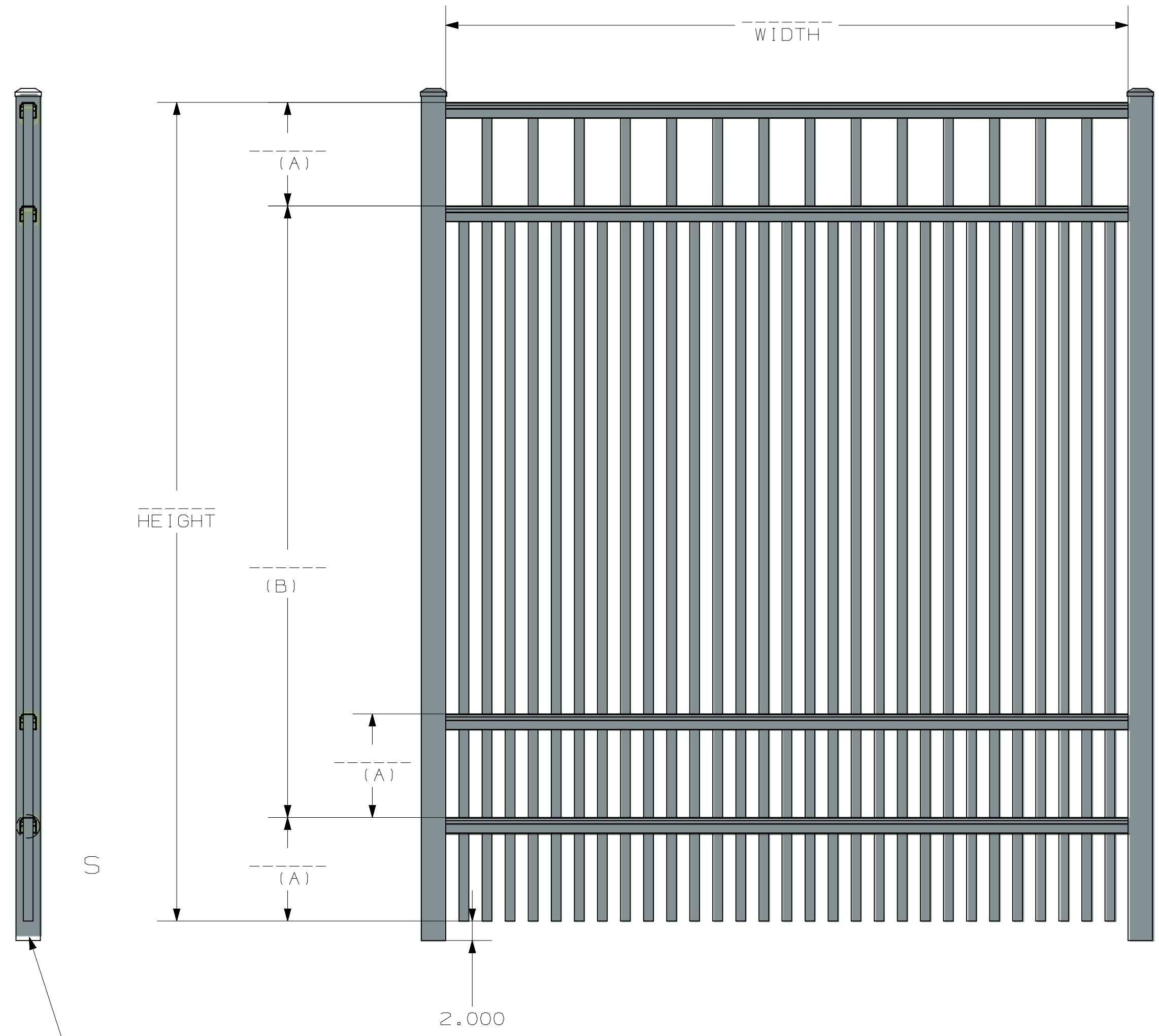
REV	NOTES
-----	-------

A
B
C
D
E
F
G
H

A
B
C
D
E
F
G
H



1" X 1" X .062" INDUSTRIAL PICKET



POST OPTIONS
 2 1/2" X 2 1/2" X .100 WALL
 3" X 3" X .125" WALL
 4" X 4" X .125" WALL

HEIGHT	A	B
4'	7 5/8"	32 3/4"
4 1/2'	7 5/8"	38 3/4"
5'	7 5/8"	44 3/4"
6'	7 5/8"	56 3/4"
7'	10 5/8"	62 3/4"
8'	10 5/8"	74 3/4"
9'	13 5/8"	80 3/4"
10'	13 5/8"	92 3/4"

NOMINAL WIDTH	RAIL LENGTH
6"	71 1/2"
8"	100"
MAX 90 7/16" IF OVER 8' TALL	

ULTRA ALUMINUM MANUFACTURING, INC
 2124 GRAND COMMERCE DR. HOWELL, MI 48855
 PHONE (800) 656-4420 FAX (800) 643-7426

	DATE	11-30-2023
	REV	2
	SHEET	1 OF 1

UAF-201
 STD BOTTOM
 INDUSTRIAL SHOP DRAWING
 4-RAIL

UAF-201 STD BOTTOM INDUSTRIAL 6X7 4-RAIL