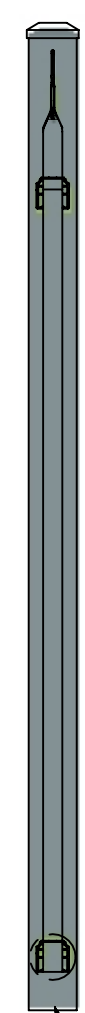
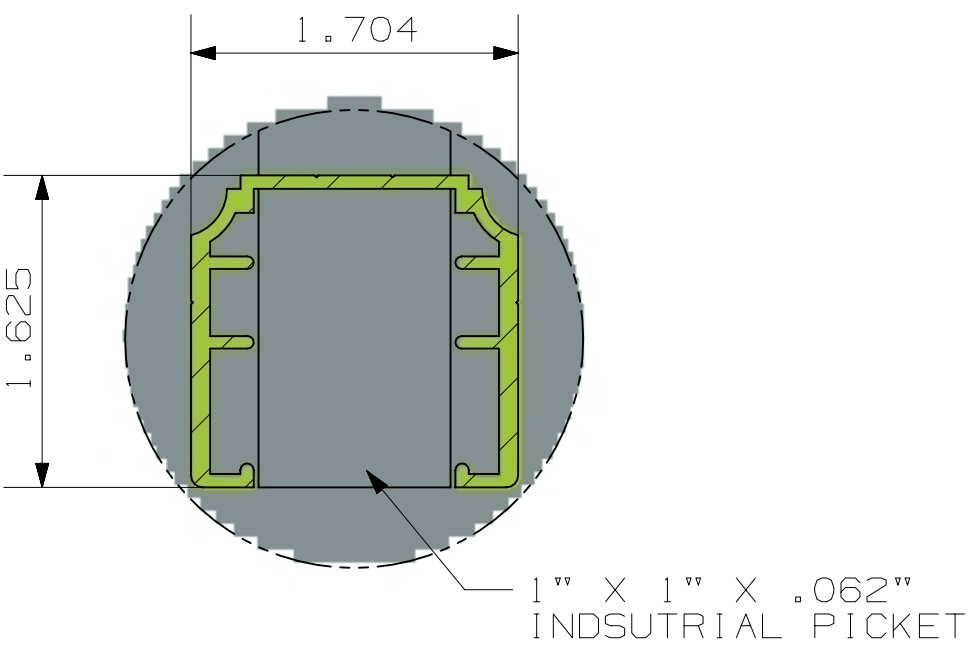
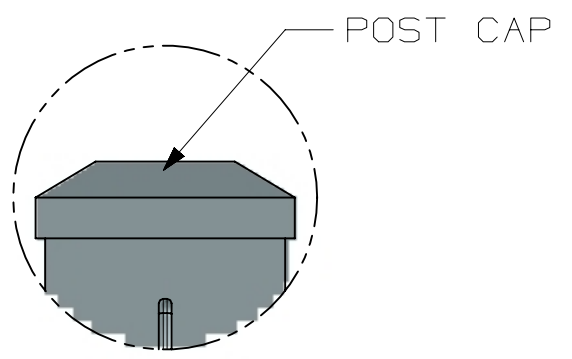
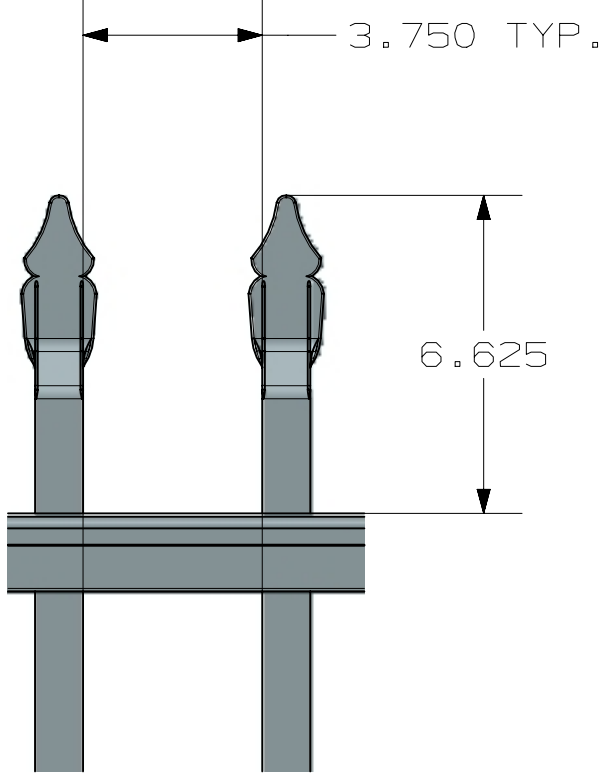


|            |                     |                |                  |             |          |
|------------|---------------------|----------------|------------------|-------------|----------|
| TOLERANCE  | TAPE MEASURE ±1/16" | CALIPER ±.010" | DRAWING APPROVED | BOM ENTERED | ALLOY    |
| OVERRIDDEN |                     |                |                  |             | COMMENTS |

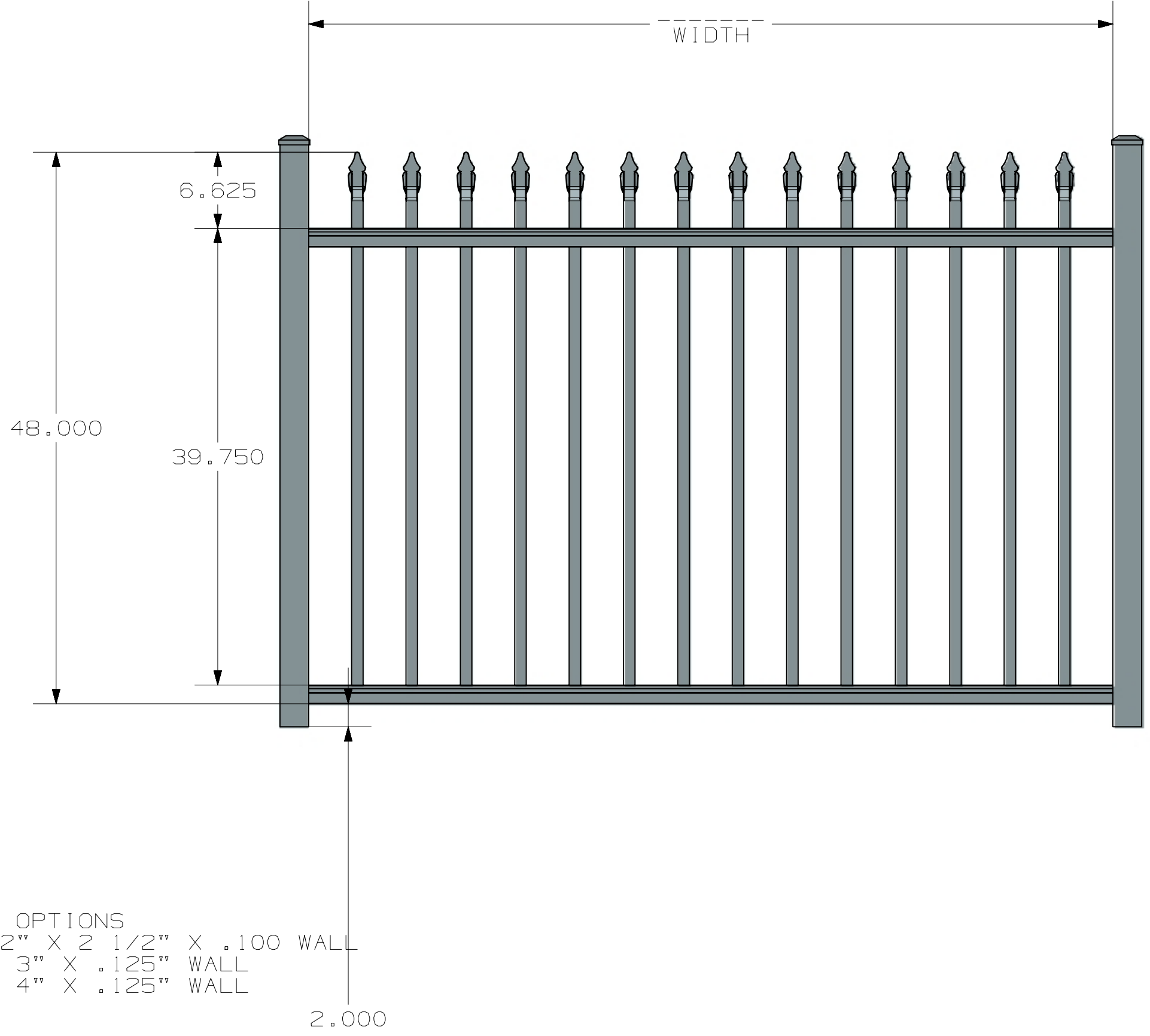
| REV | NOTES |
|-----|-------|
|-----|-------|

A  
B  
C  
D  
E  
F  
G  
H

A  
B  
C  
D  
E  
F  
G  
H



POST OPTIONS  
 2 1/2" X 2 1/2" X .100 WALL  
 3" X 3" X .125" WALL  
 4" X 4" X .125" WALL



| NOMINAL WIDTH | RAIL LENGTH |
|---------------|-------------|
| 6'            | 71 1/2"     |
| 8'            | 100"        |

ULTRA ALUMINUM MANUFACTURING, INC  
 2124 GRAND COMMERCE DR. HOWELL, MI 48855  
 PHONE (800) 656-4420 FAX (800) 643-7426

|  |       |           |
|--|-------|-----------|
|  | DATE  | 12-7-2023 |
|  | REV   | 1         |
|  | SHEET | 1 OF 1    |

UAS-100 SPEAR TOP  
 FLUSH BOTTOM  
 INDUSTRIAL SHOP DRAWING  
 2-RAIL

UAS-100 FLUSH BOTTOM INDUSTRIAL SPEAR TOP 6X4 2 RAIL